



Coreless Spin-On Filters

12AS/50AS Series



Coreless Spin-on Filters

12AS/50AS Series



The Smart Alternative to Spin-on Cans!

Features:

Parker engineers have developed an innovative alternative to the age old spin-on style can. This new design provides all of the benefits of high efficiency, long life Ecoglass III filtration, without the environmental impact.

The new environmentally-friendly 12AS and 50AS hydraulic filters feature a reuseable bowl and a patented filter element constructed primarily of nylon and fiberglass. The element core is permanently attached as part of the filter bowl. When replaced, the element reduces costs, eliminates hot drain requirements, can be easily incinerated, and is better-suited for most landfills.

The 500 psi filters are rated up to 50 gpm, with premium Ecoglass III elements as standard offerings. The patented element design also prevents filter operation if the proper element is not in place.

Applications:

- Mobile Ag
- Mobile Construction
- Material Handlers
- Aerial Lifts
- Pilot lines
- Charge pump hydrostatic drives
- Industrial power units
- Machine tools

Feature	Advantage	Benefit
<ul style="list-style-type: none"> 500 PSI operating pressure 	<ul style="list-style-type: none"> Withstands pressure surges, allows application versatility. 	<ul style="list-style-type: none"> Broader applications compared to 150 PSI rated spin-on cans.
<ul style="list-style-type: none"> Patented element 	<ul style="list-style-type: none"> Provides head-to-bowl seal. Must be installed for operation. Ensures original element must be used. 	<ul style="list-style-type: none"> Provides optimum leak-free performance. Meets system cleanliness requirements.
<ul style="list-style-type: none"> Coreless Ecoglass elements 	<ul style="list-style-type: none"> Lightweight, non-metallic. Ease of service and disposal. 	<ul style="list-style-type: none"> Reduces disposal costs. Can be incinerated. Low environmental impact in landfills.
<ul style="list-style-type: none"> Spin-on filter assembly w/reuseable bowl 	<ul style="list-style-type: none"> Improved, cost-effective design. 	<ul style="list-style-type: none"> Easy to maintain.



Coreless Spin-On Filters

12AS/50AS Series

Specifications

Pressure Ratings:

Maximum Allowable
 Operating Pressure (MAOP):
 500 psi (34.5 bar)
 Fatigue: 400 psi (27.6 bar)
 1,000,000 cycles: 0-400 psi
 Design Safety Factor: 2.5:1

Operating Temperatures:

Buna: -40°F to 225°F
 (-40°C to 107°C)

Element Collapse Rating:

150 psid (10.3 bar)

Element Condition Indicators:

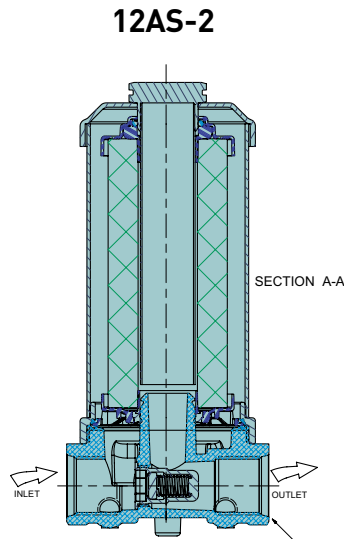
Gauge: 0-60 psi color coded
 (For use in low pressure applications only.)
 Pressure Switch: normally open,
 20 ± 2 psi, 5A @ 24 VDC

Materials:

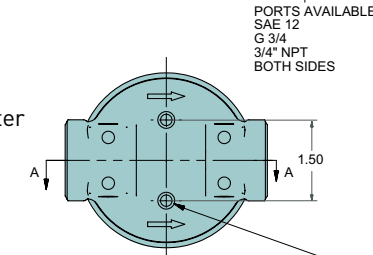
Head: die cast aluminum
 Bypass valve: nylon with steel spring
 Filter element: fiberglass and polyester
 with nylon endcaps
 Bowl: steel
 Permanent core: steel

Weights (approximate):

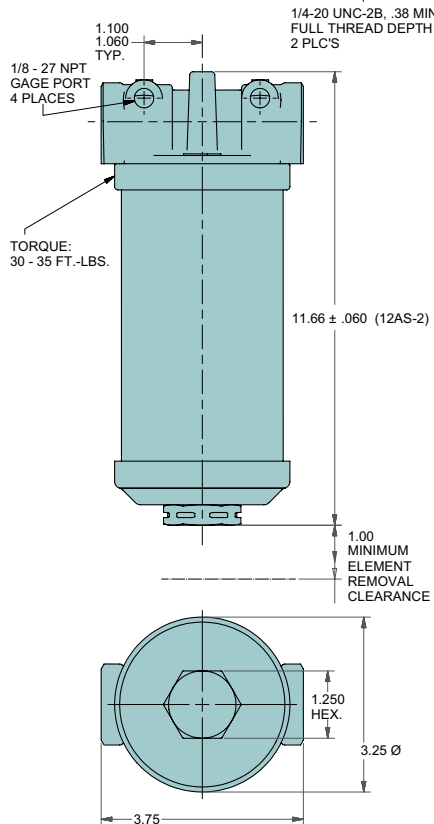
12AS-2.....3lbs. (1.4 kg)
 50AS-1.....6lbs. (2.7 kg)



SECTION A-A



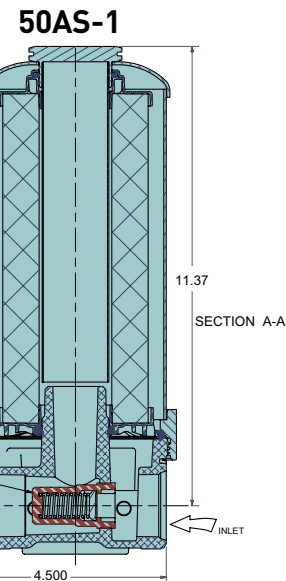
PORTS AVAILABLE
 SAE 12
 G 3/4
 3/4" NPT
 BOTH SIDES



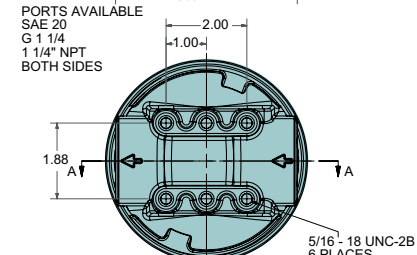
1/4-20 UNC-2B, .38 MIN
 FULL THREAD DEPTH
 2 PLCS

11.66 ± .060 (12AS-2)

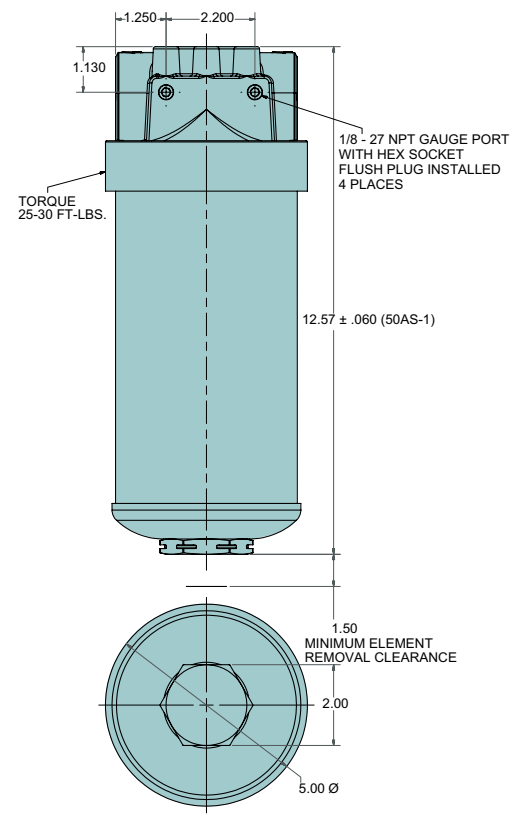
1.00
 MINIMUM
 ELEMENT
 REMOVAL
 CLEARANCE



SECTION A-A



PORTS AVAILABLE
 SAE 20
 G 1 1/4
 1 1/4" NPT
 BOTH SIDES



12.57 ± .060 (50AS-1)

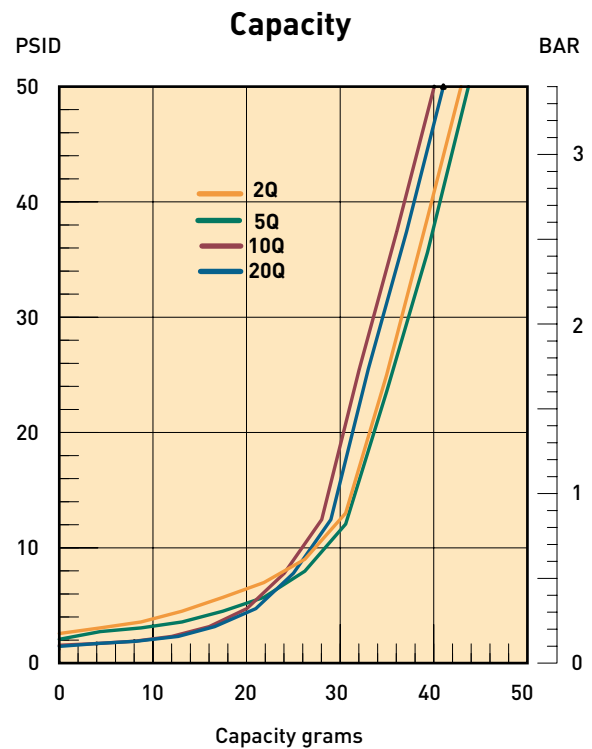
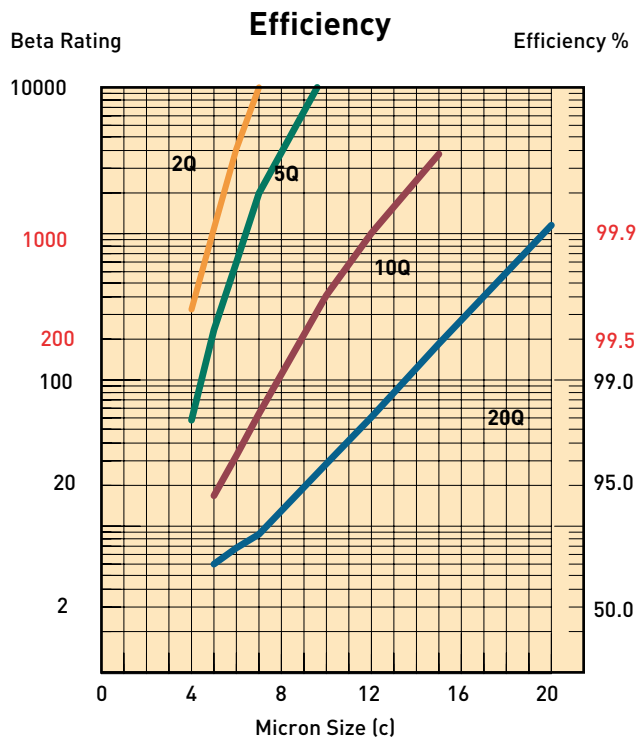
1.50
 MINIMUM ELEMENT
 REMOVAL
 CLEARANCE



Coreless Spin-on Filters

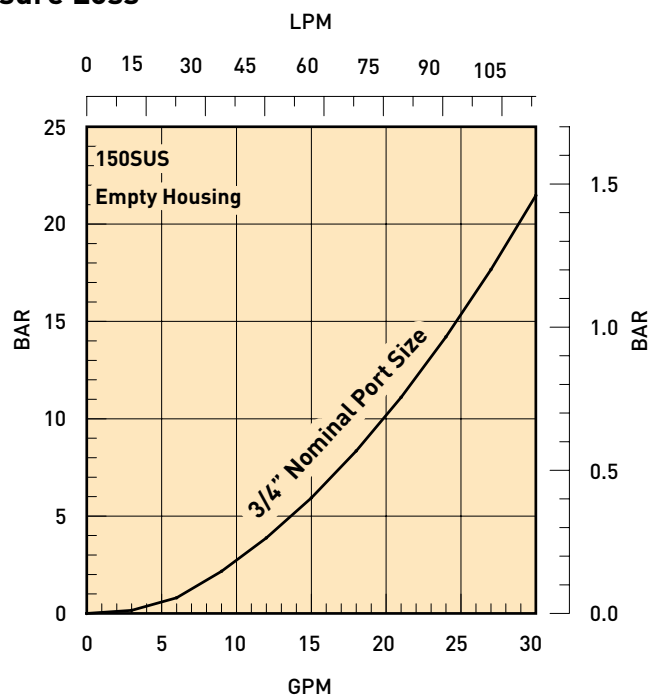
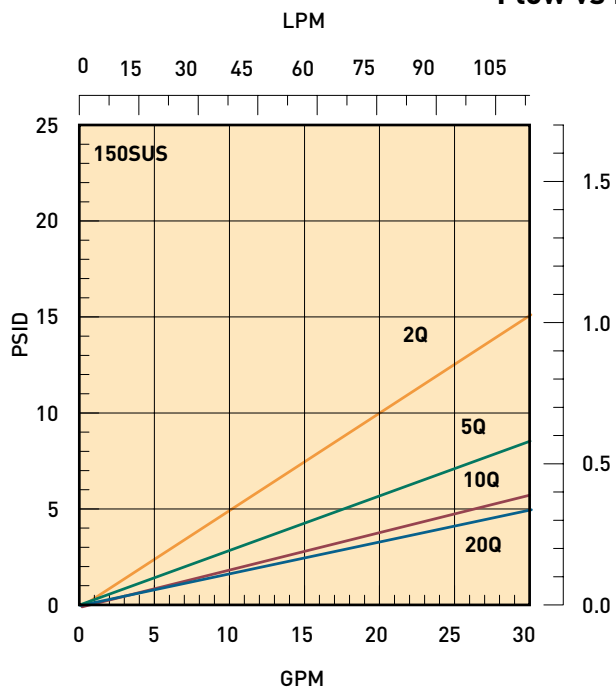
12AS/50AS Series

12AS-2 Performance

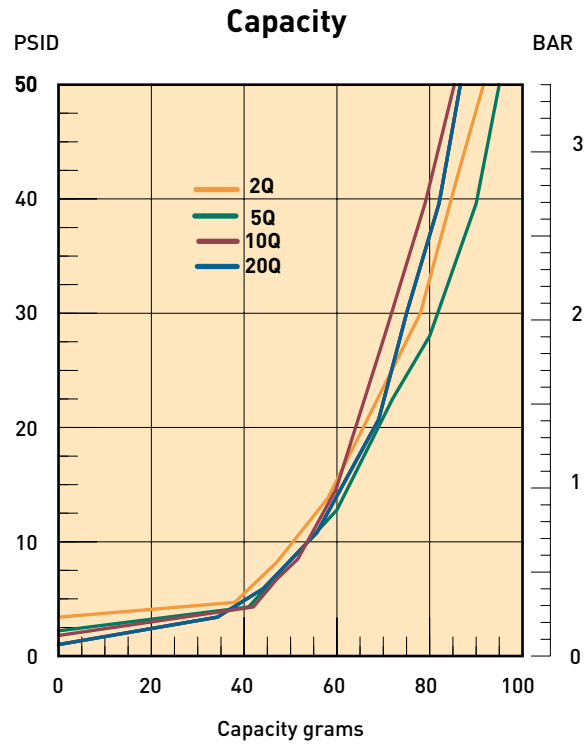
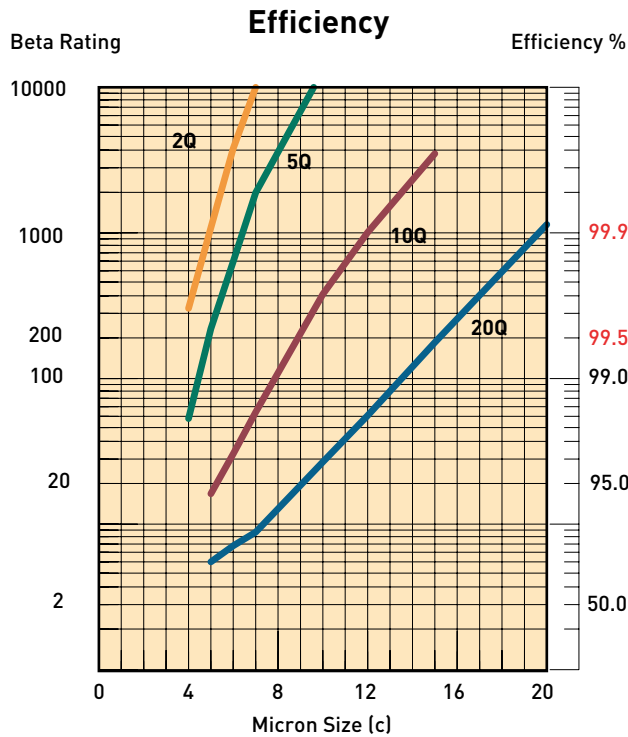


Results typical from Multi-pass tests run per test standard ISO 16889 @ 15 gpm to 50 psid terminal - 10 mg/L BUGL
Refer to Appendix for relationship to test standard ISO 4572.

Flow vs Pressure Loss

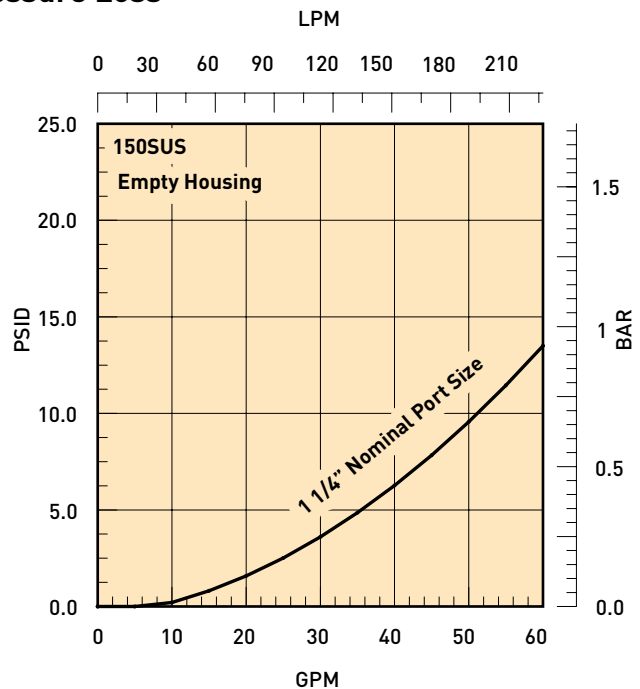
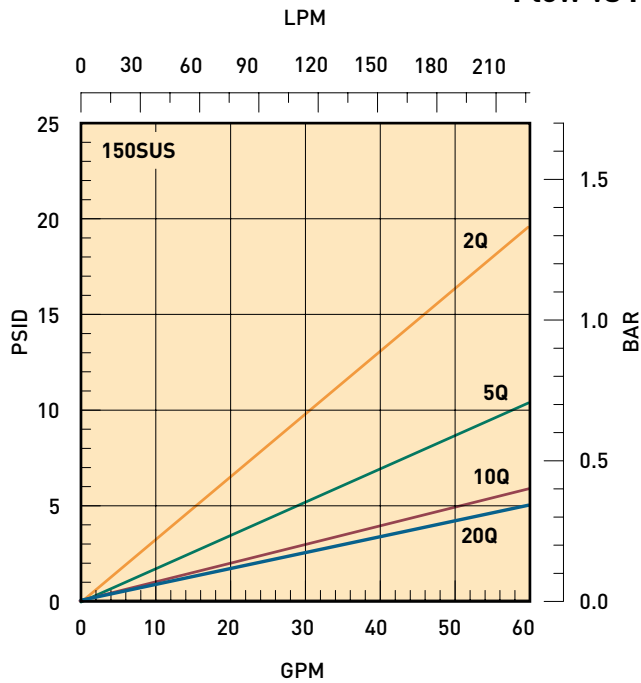


50AS-1 Performance



Results typical from Multi-pass tests run per test standard ISO 16889 @ 30 gpm to 50 psid terminal - 10 mg/L BUGL
Refer to Appendix for relationship to test standard ISO 4572.

Flow vs Pressure Loss



Coreless Spin-on Filters

12AS/50AS Series

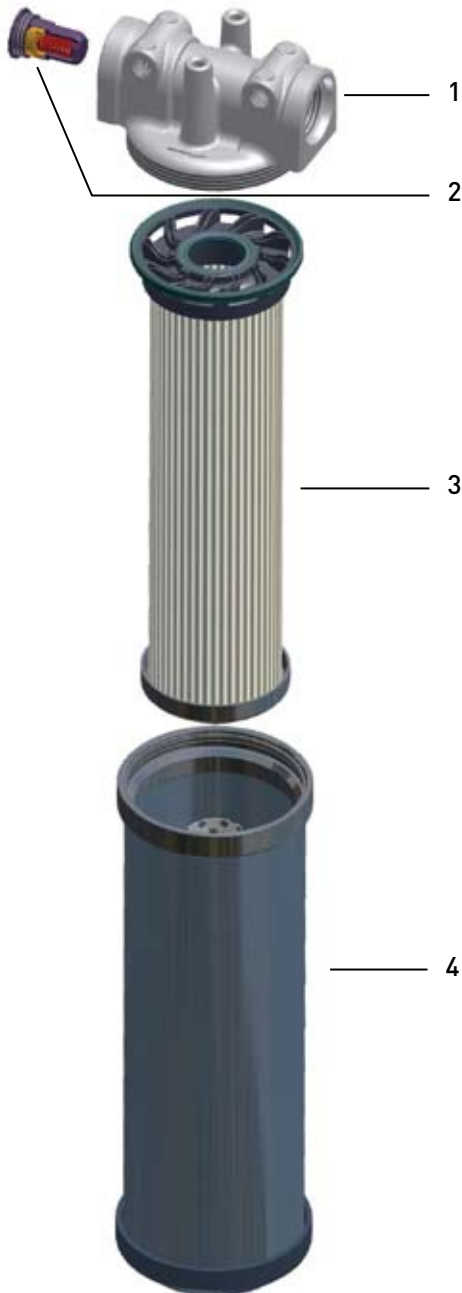
Service Instructions 12AS/50AS Series

Filter Service

Filter element should be replaced as indicated by filter indicator gauge, or at specified service intervals recommended by the OEM.

Replacement element procedure

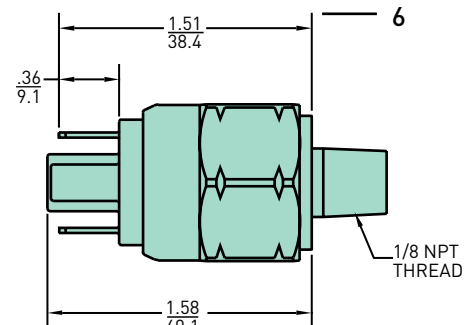
- A. Shut down system and release pressure in the filter line.
- B. Loosen bowl and remove rotating counter clockwise.
- C. Remove dirty element from filter head and discard.
- D. Lubricate element seals on clean element and install on filter head element locator.
- E. Install reusable bowl onto element and filter head. Tighten to specified torque.



Indicator Gauge (25 PSI)

Parts List

Index		12AS	50AS	
1	Head			
	SAE-12	937600	N/A	
	3/4" NPT	937612	N/A	
	G3/4" BSPP	940898	N/A	
	SAE-20	N/A	940791	
	1 1/4" NPT	N/A	940792	
2	Bypass			
	25 psid assembly	928979	930507	
	50 psid assembly	928981	933424	
	3	Element		
		Single		
		02QE	N/A	940816Q
05QE		N/A	940817Q	
10QE	N/A	940818Q		
20QE	N/A	940819Q		
4	Bowl			
	Double			
	02QE	940765Q	N/A	
	05QE	940764Q	N/A	
	10QE	940763Q	N/A	
	20QE	940762Q	N/A	
5	Gauge			
	50 PSID bypass	936628	936628	
	25 PSID bypass	936912	936912	
6	Pressure Switch			
	50 PSID bypass	934617	934617	
	25 PSID bypass	926923	926923	



Pressure Switch

Linear Measure = inches
mm

Coreless Spin-On Filters

12AS/50AS Series

How To Order

Select the desired symbol (in the correct position) to construct a model code.

Example:

BOX 1	BOX 2	BOX 3	BOX 4	BOX 5	BOX 6	BOX 7	BOX 8
12AS	2	10QE	B	P	G	S12	1

BOX 1: Basic Assembly	
Symbol	Description
12AS	Coreless Spin-On, 20 GPM nominal
50AS	Coreless Spin-On, 40 GPM nominal

BOX 6: Bypass	
Symbol	Description
G	25 PSID (1.7 bar)
K	50 PSID (3.5 bar)

BOX 2: Length	
Symbol	Description
1	Single (50AS model only)
2	Double (12AS model only)

BOX 7: Ports	
Symbol	Description
	<u>12AS</u>
S12	SAE-12 integral threads*
N12	3/4" NPT integral threads
G12	G3/4" BSPP (ISO 220) integral threads
	<u>50AS</u>
S20	SAE-20 integral threads*
N20	1 1/4" NPT integral threads
G20	G1 1/4" BSPP (ISO 220) integral threads

BOX 3: Element Media	
Symbol	Description
02QE	Ecoglass III, 2µm
05QE	Ecoglass III, 5µm
10QE	Ecoglass III, 10µm
20QE	Ecoglass III, 20µm

*Porting recommended for best delivery.

BOX 4: Seals	
Symbol	Description
B	Nitrile (NBR)
Consult Factory for additional seal options	

Symbol	Description
1	No options

BOX 5: Indicator	
Symbol	Description
P	Gauge Ports (4) Plugged

Replacement Elements (Ecoglass)

Media	Filter Model - Nitrile seals	
	12AS-2	50AS-1
02QE	940765Q	940816Q
05QE	940764Q	940817Q
10QE	940763Q	940818Q
20QE	940762Q	940819Q

Accessories

Part Number	Description
936912	Pressure gauge, 2" 0-60 psid (25 psid bypass)
936628	Pressure gauge, 0-100 psid (50 psid bypass)
926923	Pressure switch, 20 ± 2 psid 5A @ 24 VDC (25 psid bypass)
934617	Pressure switch, 43 ± 3 psid (50 psid bypass)

Accessories for use in low pressure application only.

Parker Worldwide Sales Offices

Contact Parker's worldwide service
and distribution network by calling:

Argentina • +54 (1) 752 4129
Australia • +61 (2) 634 7777
Austria • +43 (2622) 23501 3
Belgium • +32 (2) 762 1800
Brazil • +55 (11) 3917 1407
Canada • 1-800-272-7537
China • +86 (21) 6249 9755
Czech Republic • +42 (2) 752544
Denmark • +45 (43) 541133
Finland • +358 (0) 8784211
France • +33 (50) 258025
Germany • +49 (69) 311096
Hong Kong • +852 2428 8008
Hungary • +36 (1) 25 22 539
India • +91 (22) 577 1671
Italy • +39 (02) 451921
Japan • +81 (45) 861 3811
Korea • +82 (2) 561 0414
Mexico • 1-800-272-7537
Netherlands • +31 (5410) 85000
New Zealand • +64 (9) 573 1523
Norway • +55 (99) 867760
Poland • +48 (22) 461455
Singapore • +65 261 5233
South Africa • +27 (11) 9703630
Spain • +34 (1) 6757300
Sweden • +46 (8) 760 2960
Taiwan • +886 (2) 781 3206
United Arab Emirates • +971 (2) 788587
United Kingdom +44 1924 487000
United States of America • 1-800-272-7537
Venezuela +58 (2) 238 5422

Filtration Group Technical Sales & Service Locations

Hydraulic Filter Division

16810 Fulton County Road #2
Metamora, OH 43540
Phone: (800) 253-1258
Phone: (419) 644-4311
Fax: (419) 644-6205

Process Advanced Filtration

2340 Eastman Ave.
Oxnard, CA 93030
Phone: (805) 604-3502
Fax: (805) 604-3401

Racor Division

3400 Finch Road
P.O. Box 3208
Modesto, CA 95353
Phone: (800) 344-3286
Phone: (209) 521-7860
Fax: (209) 529-3278

Filtration and Separation, Finite Filter Operation

500 Glaspie Street
Oxford, MI 48371
Phone: (800) 521-4357
Phone: (248) 628-6400
Fax: (248) 628-1850

Filtration and Separation, Balston Operation

242 Neck Road
P.O. Box 8223
Haverhill, MA 01835-0723
Phone: (800) 343-4048
Fax: (978) 858-0625

Filter Division U.K.

Condition Monitoring Centre
Brunel Way
Thetford, Norfolk
IP24 3RT England
Phone: (44) 1842-763299
Fax: (44) 1842-756300

Parker Hannifin Oy Filter Division Europe (Finn Filter Division)

FIN-31700 Urjala As.
Finland
Phone: +358 20 753 2500
Fax: +358 20 753 2502

Parker Hannifin Ind. e Com. Ltda. Filter Division

Av. Getulio Dorneles Vargas
1331/1333
12305-000 Jacarei, SP
Brasil
Phone: 55 12 3955-1000
Fax: 55 12 3955-1010

Parker Hannifin Asia Pacific Company, LTD

902 Dae Heung Bldg.
648-23 Yeoksam-dong
Kangnam-ku, Seoul,
Korea 135-080
Phone: 82 2 561 0414
Fax: 82 2 556 8187

Parker Filtration BV Filter Division Europe

Stieltjesweg 8
6827 BV Arnhem
The Netherlands
Phone: +31 26 3760 376
Fax: +31 26 3643 620



Parker Hannifin Corporation

Hydraulic Filter Division
16810 Fulton County Road #2
Metamora, OH 43540
Phone: (800) 253-1258
Phone: (419) 644-4311
Fax: (419) 644-6205
<http://www.parker.com/hydraulicfilter>