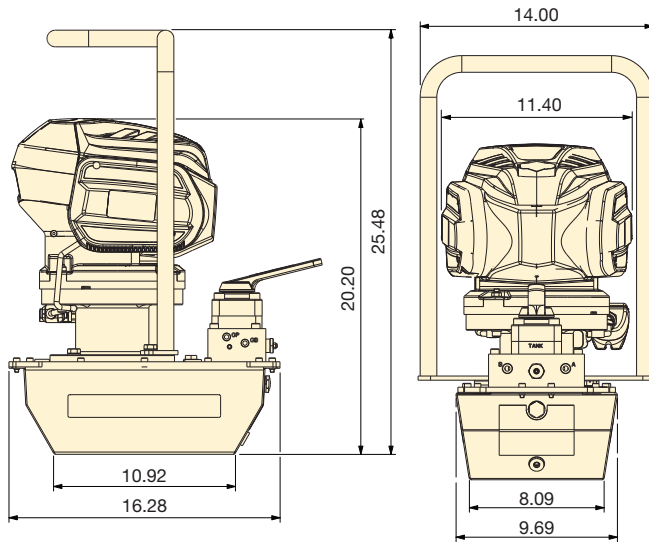


# ZC-SERIES CORDLESS HYDRAULIC PUMP

## Spec Sheet



Dimensions shown in inches

### NEW, ZC-SERIES CORDLESS PUMP


The ZC Pump combines the performance of an electric pump with the convenience and portability of a battery pump.

This quiet, cordless solution is ideal for applications where emissions and noise are a concern, or when electricity or air is not readily available.

#### KEY FEATURES:

- ✓ 82V 4ah Lithium Ion Battery
  - Improved portability – no generators, extension cords
  - Capable of higher flow applications
  - Extended run time
- ✓ 1.4hp Brushless DC Motor
  - Power to drive 3-stage pump for higher flow applications
  - Longer service life
  - No emissions and low noise
- ✓ 3-Stage Pump
  - Maximizes flow for lower pressure applications
  - Higher tool productivity – more work completed faster

#### LITHIUM-ION BATTERY SPECS

	<b>Battery Volts</b>	82V
	<b>Amp Hours</b>	4AH
	<b>Weight</b>	5.73 Lbs.
	<b>Charge Time</b>	60 Mins.

Used with	Useable Oil Capacity (gal)	Manual Valve Model Number	Valve Function	Model Number*	Output Flow Rate (in <sup>3</sup> /min)			Charger Voltage	Weight with Oil (lbs)
					@ no load	@ 4000 psi	@ 10,000 psi		
Single-Acting Cylinder	1.75	VM33	Advance/Neutral/Retract	ZC3308JB	310	80	32	115	65.5
				ZC3308JE				230	
Double-Acting Cylinder	1.75	VM43	Advance/Neutral/Retract	ZC3408JB	310	80	32	115	65.5
				ZC3408JE				230	
Power Seater Post-Tensioning Tools	1.75	VM43LPS	Advance/Hold/Retract	ZC3908JB	310	80	32	115	73.4
				ZC3908JE				230	

\*All models meet CE safety requirements and all TUV requirements.