



# Hydraulic Accumulators

PISTON TYPE  
SERIES GO  
Specification Sheet



The CROSS series GO piston type hydro-pneumatic accumulators are energy storage devices which are used to provide auxiliary and emergency power and to absorb or suppress hydraulic system shock pressures. These nitrogen gas charged units can reduce prime mover horsepower requirements in systems where duty cycle allows re-charging of the accumulator.

### GENERAL SPECIFICATIONS

- Sizes (net gas volume)..... From 10 cu. in. (163.9 cc) to 5 gal. (18.9 lit.)
- Rated pressure..... 3000 psi (207 bar)
- Maximum shock and surge pressure..... 3500 psi (242 bar)
- Mounting..... Any position, with clamps or brackets

### MATERIAL SPECIFICATIONS

- Shell..... Precision honed seamless steel
- End caps..... High tensile strength steel
- Pistons..... High strength aluminum alloy
- Seals..... Buna N with back-up rings

### STANDARD FEATURES

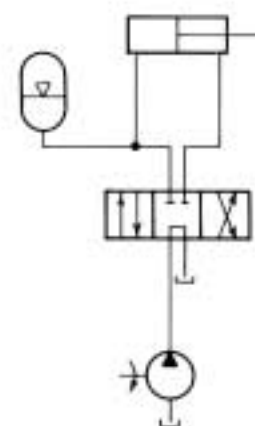
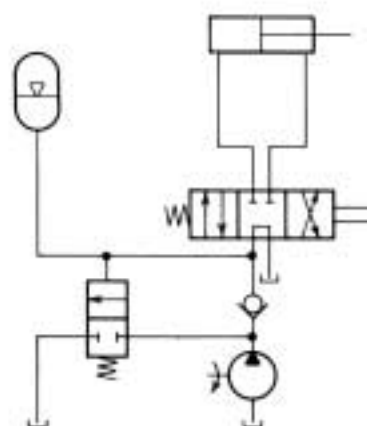
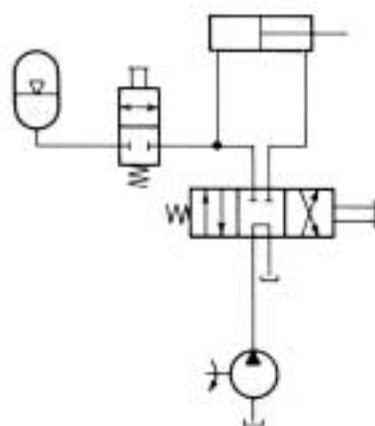
- Rapid response rate using lightweight, low inertia aluminum piston
- Recessed end cap receives piston for dashpot action when discharged
- Safety gas vent prevents removal of end cap from charged accumulator
- Standard charging valve is recessed and covered with cap for safety
- Simplified maintenance using common seals in end cap and piston

### APPLICATIONS (Typical)

AUXILIARY or EMERGENCY POWER

LOAD HOLDING, LEAKAGE COMPENSATION

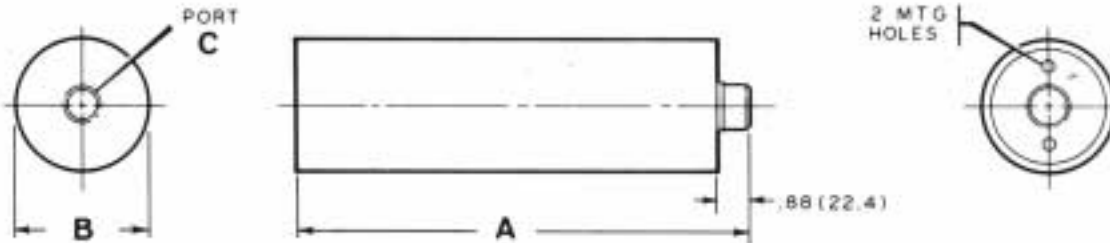
SHOCK SUPPRESSION



ACCUMULATORS MUST NOT BE USED ABOVE PRESSURE RATINGS NOR CHARGED WITH ANY GAS OTHER THAN NITROGEN.



**DIMENSIONAL DATA** in inches and (millimeters)



		2GO-03	2GO-1	2GO-2	4GO-4	4GO-8	4GO-12	4GO-20	6GO-24	6GO-32	6GO-40
SIZE	Gal.	10 cu.in.	30 cu.in.	1/2	1/2	1	1 1/2	2 1/2	3	4	5
	Lit.	164cc	492cc	.946	1.89	3.78	5.68	9.46	11.36	15.14	18.93
WT	Lbs.	7	10	15	30	40	51	73	115	139	163
	Kg.	3.18	4.54	6.80	13.61	18.14	23.13	33.11	52.16	63.05	73.94
A	in.	8.32	14.69	24.19	14.88	24.13	33.32	51.75	30.57	38.69	46.88
	mm	211	373	614	378	613	842	1314	776	982	1190
B	in.	2.50	2.50	2.50	4.62	4.62	4.62	4.62	7.00	7.00	7.00
	mm	64	64	64	117	117	117	117	178	178	178
C	in.	1/2	1/2	1/2	1	1	1	1	1 1/2	1 1/2	1 1/2
	mm	13	13	13	25.4	25.4	25.4	25.4	38	38	38

**PERFORMANCE DATA** See CROSS volume/pressure curves AGO.01  
(available upon request)

**ORDERING DATA** order by part number shown in above chart

**SPARE PARTS KITS** (o-rings and back-up rings)

ACC. MOD. NO.	KIT NUMBER
2GO	1C7530
4GO	1C7468
6GO	2C3340

**GAS VALVE PART NUMBER:** 1A0167

Units are supplied from factory without pre-charge.  
Contact factory regarding the use of any fluids other than normal hydraulic oils.



**CROSS MANUFACTURING, INC.**  
100 Factory Street  
Lewis, Kansas 67552  
620/324-5525 Fax -5737