



HYDRAULIC VALVES

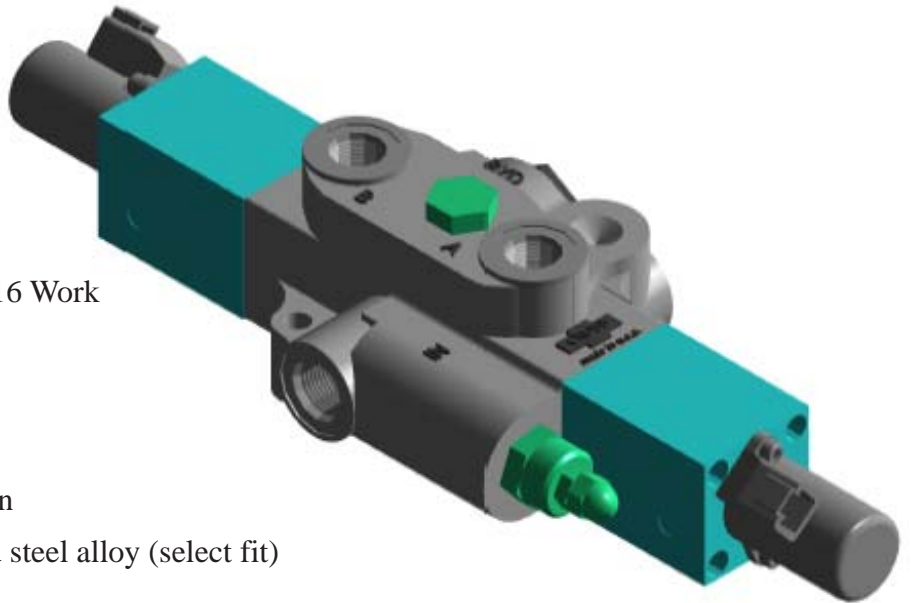
BA SERIES
Proportional

SPECIFICATIONS:

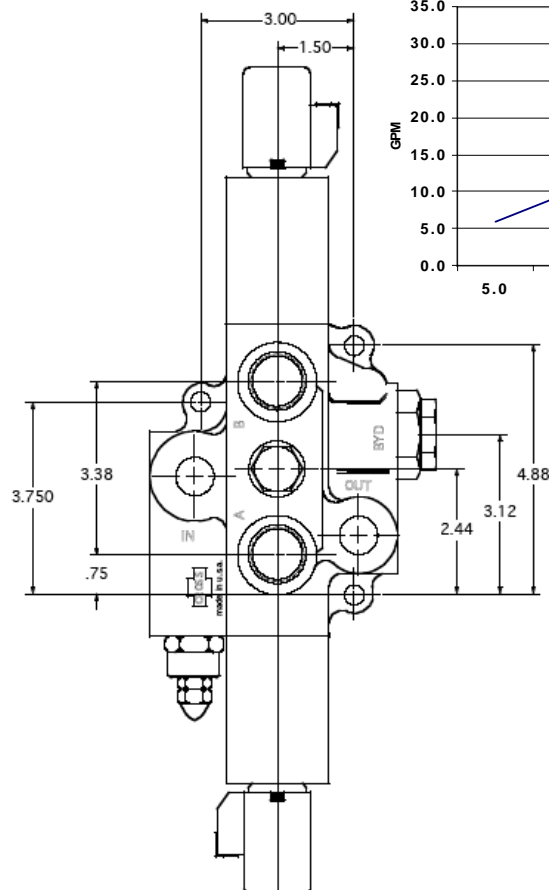
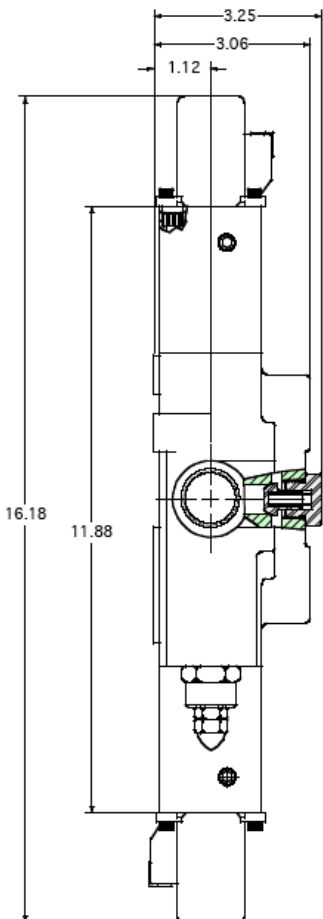
- 3000 PSI working pressure
- Cylinder port load checks
- Adjustable differential poppet relief
- Internal pilot and drain
- SAE ports 1 1/16-12 In & Out, 3/4-16 Work (other sizes available)
- Closed center

MATERIALS:

- Body: High tensile strength cast iron
- Spools: Ground, plated and polished steel alloy (select fit)
- Seals: Buna N

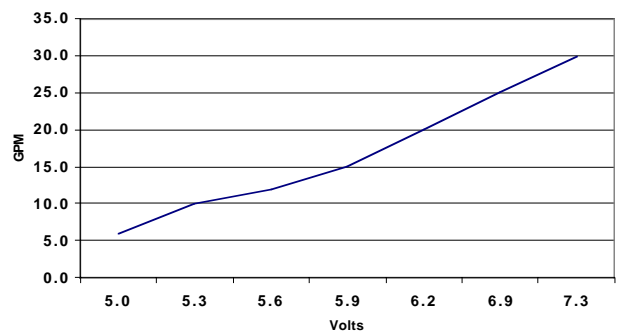


DIMENSIONAL DATA:



Voltage versus Flow

1500 psi, 100 to 120 degrees F.
with 120 SUS oil



CONTROL:

- 12 VOLT DC
- 1.3 AMPS