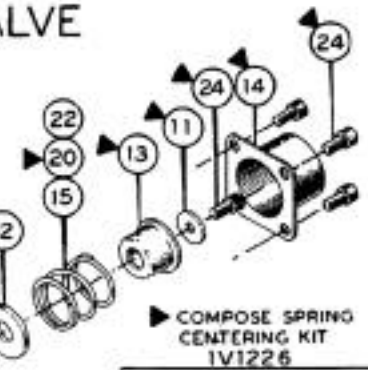
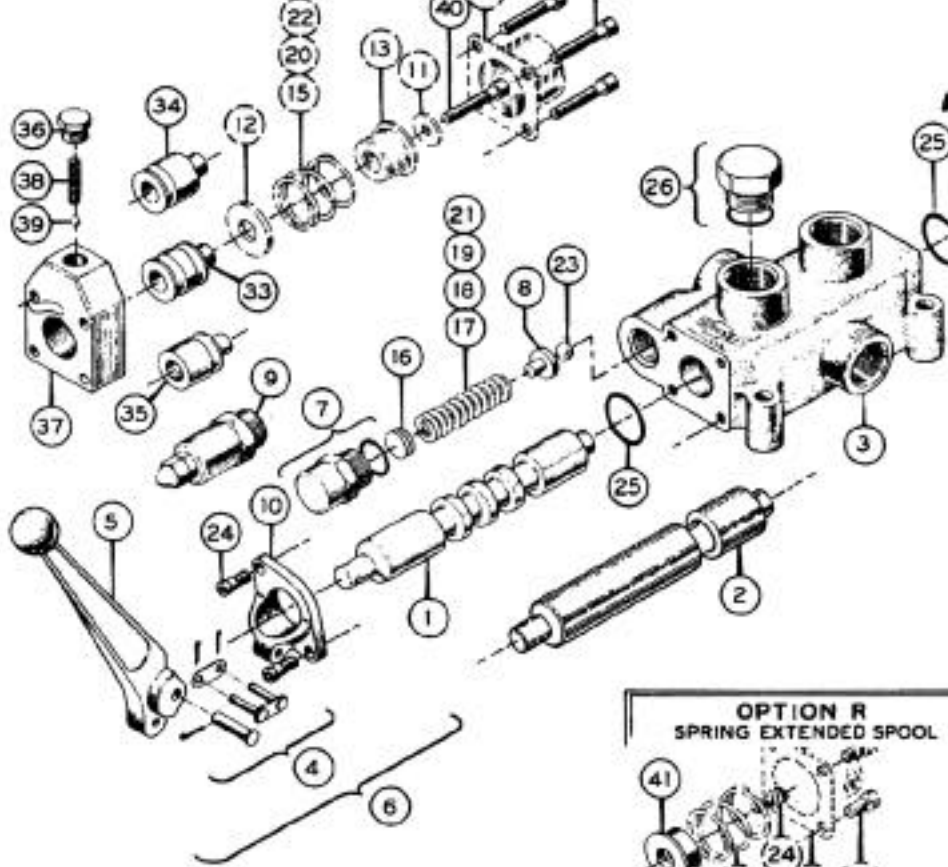


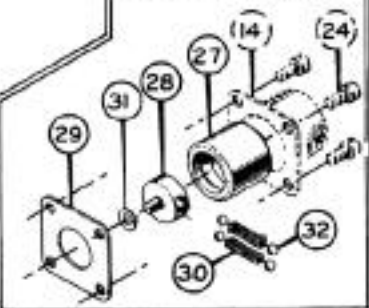


# MODEL CA DIRECTIONAL CONTROL VALVE

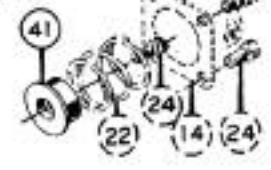
**OPTION — 1 OR 2 POSITION DETENT  
WITH SPRING CENTERING**



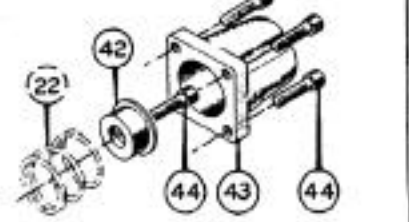
**OPTION B  
KIT NO. 1V0294  
3-POSITION DETENT  
NO SPRG CENTERING**



**OPTION R  
SPRING EXTENDED SPOOL**



**OPTION S  
SPRING RETRACTED SPOOL**



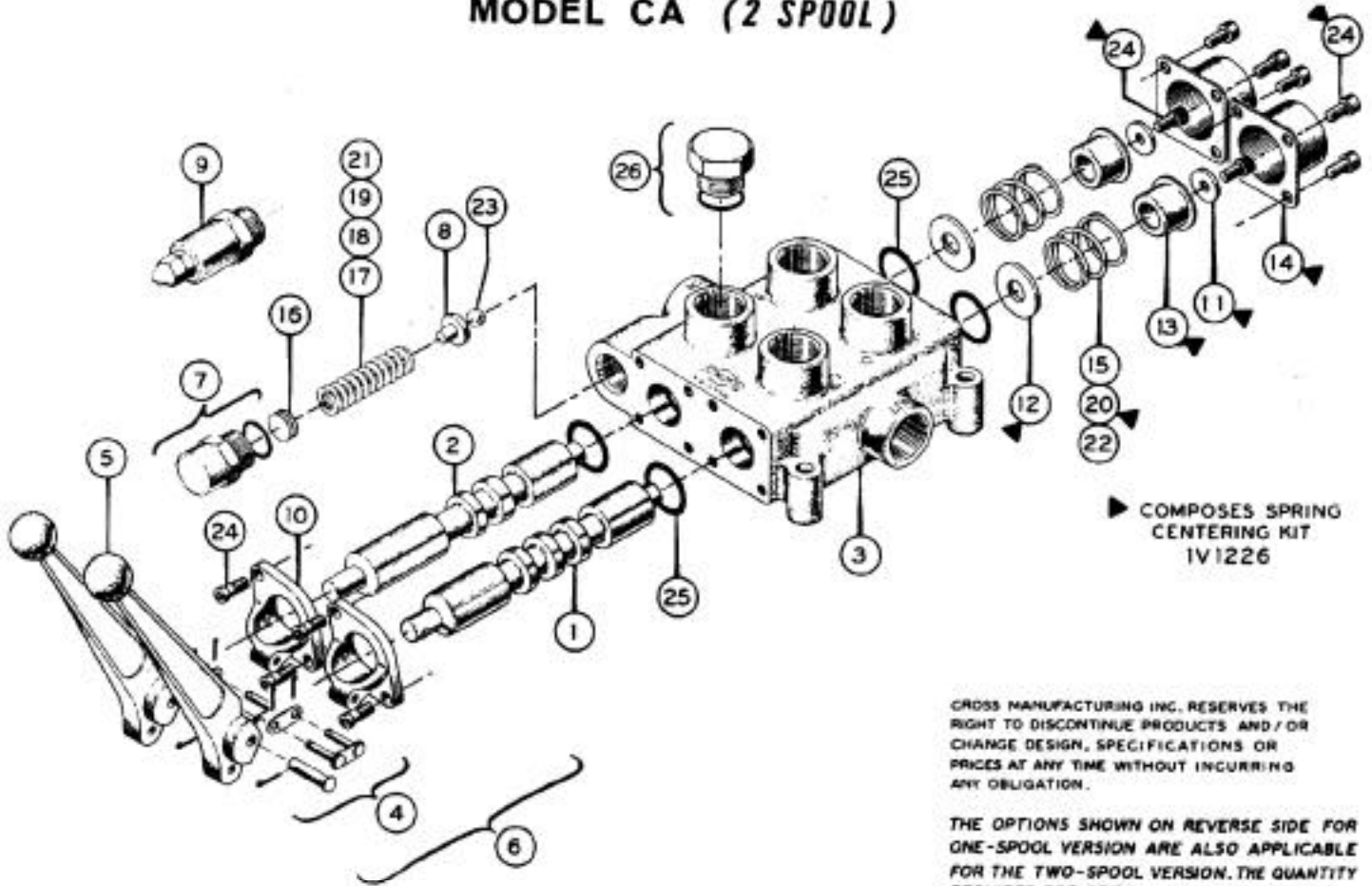
## PARTS LIST

PART NO.	DESCRIPTION	QTY PER VALVE
1 1V0003 *	4 WAY SPOOL—OPEN CENTER (STANDARD)	1
2 1V0006 *	3 WAY SPOOL—OPEN CENTER (OPTIONAL)	1
— 1V0007 *	4 WAY SPOOL—CLOSED CENTER (OPTIONAL)	1
— 1V0013 *	3 WAY SPOOL—CLOSED CENTER (OPTIONAL)	1
3 1V0341 *	VALVE HOUSING WITH RELIEF	1
4 1V1702	PIN KIT	1
5 1V1703	HANDLE	1
6 1V1705	HANDLE & BRACKET ASSEMBLY (REF.)	—
7 1V1790	RELIEF PLUG ASSEMBLY, NONADJUST (STD)	1
8 1R0014	RELIEF SPRING GUIDE	1
9 1R0045	RELIEF PLUG ASSEMBLY, ADJUST. (OPT.)	1
10 424306	HANDLE BRACKET	1
11 1A0290	CENTERING SPRING WASHER	1
12 1A0291	STOP WASHER	1
13 1A0292	STOP COLLAR	1
14 1A0294	END CAP	1
15 1A0332	LIGHT CENTERING SPRING	1
16 1A0692	SHIM	AS REQD
17 1A0683	RELIEF SPRING 750—1250 PSI	1
18 1A0684	RELIEF SPRING 1250—1750 PSI	1
19 1A0685	RELIEF SPRING 1750—2250 PSI	1
20 1A0744	MEDIUM CENTERING SPRING (STD)	1
21 1A9000	RELIEF SPRING 250—750 PSI	1
22 1A9008	HEAVY CENTERING SPRING	1
23 2A0017-14	STEEL BALL (7/16")	1
24 2A0079-404	MACHINE SCREW	7
25 2A0283-7214	SPOOL SEAL	2
— 2A0349-8	1/2 NPTF, 3 WAY PORT PLUG (REF.)	—
— 2A0349-12	3/4 NPTF PLUG (REF.)	—
26 2A0354-112	3/4-18 SAE PORT PLUG	1

PART NO.	DESCRIPTION	QTY PER VALVE
<b>OPTIONAL MOTORING SPOOLS</b>		
— 1V0005 *	4 WAY OPEN CENTER	1
— 1V0025 *	4 WAY CLOSED CENTER	1
— 1V0046 *	3 WAY OPEN CENTER	1
— 1V0047 *	3 WAY CLOSED CENTER	1
<b>SPECIAL PARTS FOR OPTION "B"</b>		
— 1V0294	DETENT CONVERSION KIT	—
27 1V0269	DETENT SLEEVE	1
28 1V0272	DETENT RETAINER	1
29 1A0710	RETAINER, O-RING PLATE	1
30 1A0739	DETENT SPRING	2
31 2A0738-104P	LOCKWASHER	1
32 2A0017-8	STEEL BALL (1/4")	4
<b>SPECIAL PARTS FOR DETENT WITH SPRING CENTERING</b>		
33 1V0087	DETENT SLEEVE, 2 POS. (KIT NO. 1V0560)	— OPT.
34 1V0070	DET. SLEEVE, 1 POS. "IN" (KIT NO. 1V0581)	— OPT.
35 1V0071	DET. SLEEVE, 1 POS. "OUT" (KIT NO. 1V0582)	— OPT.
36 1V0217	DETENT PLUG	1
37 1V0263	DETENT HOUSING ASSEMBLY	1
38 1A0810	DETENT SPRING	1
39 2A0017-8	STEEL BALL (1/4")	1
40 2A0079-414	MACHINE SCREW	5
<b>SPECIAL PARTS FOR OPTION "R"</b>		
41 1V0082	STOP COLLAR	1
<b>SPECIAL PARTS FOR OPTION "S"</b>		
42 1V2020	SPOOL SPACER	1
43 1V2021	SPECIAL END CAP	1
44 2A0079-406	MACHINE SCREW	5

\* THE SELECT-FIT HONING PROCESS AT FACTORY, WHICH FITS A SPOOL TO AN INDIVIDUAL VALVE BODY, ELIMINATES THE POSSIBILITY OF ORDERING THE VALVE BODY OR SPOOL AS SEPARATE ITEMS.

# MODEL CA (2 SPOOL)



CROSS MANUFACTURING INC. RESERVES THE RIGHT TO DISCONTINUE PRODUCTS AND/OR CHANGE DESIGN, SPECIFICATIONS OR PRICES AT ANY TIME WITHOUT INCURRING ANY OBLIGATION.

THE OPTIONS SHOWN ON REVERSE SIDE FOR ONE-SPOOL VERSION ARE ALSO APPLICABLE FOR THE TWO-SPOOL VERSION. THE QUANTITY REQUIRED FOR OPTIONS IS THE SAME FOR BOTH VERSIONS.

## PARTS LIST

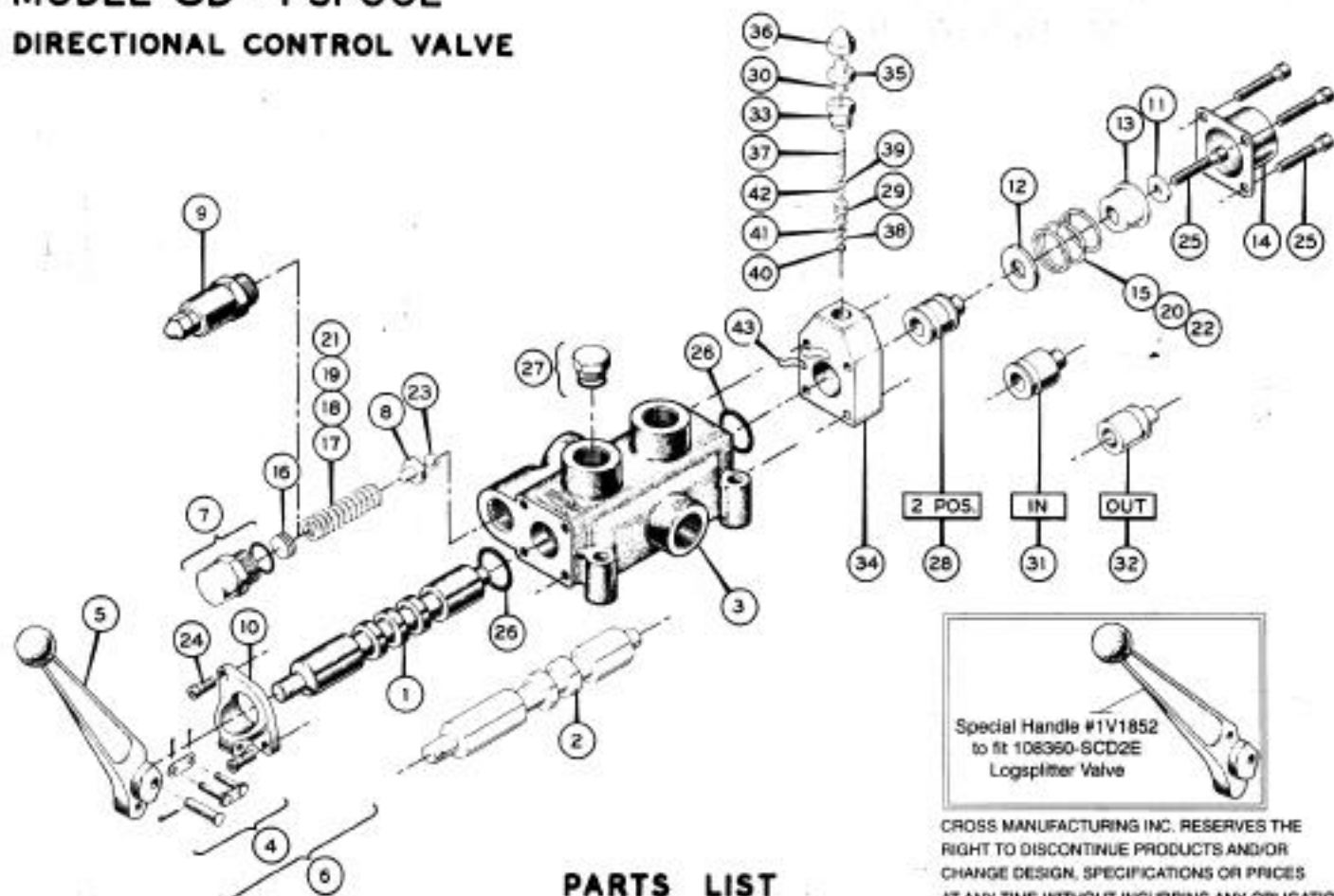
PART NO.	DESCRIPTION	QTY PER VALVE
1 1V0003 *	4 WAY SPOOL—OPEN CENTER (STANDARD)	2
2 1V0006 *	3 WAY SPOOL—OPEN CENTER (OPTIONAL)	AS REQD
— 1V0007 *	4 WAY SPOOL—CLOSED CENTER (OPTIONAL)	AS REQD
— 1V0013 *	3 WAY SPOOL—CLOSED CENTER (OPTIONAL)	AS REQD
3 1V0078 *	VALVE HOUSING WITH RELIEF	1
4 1V1702	PIN KIT	2
5 1V1703	HANDLE	2
6 1V1705	HANDLE & BRACKET ASSEMBLY (REF.)	—
7 1V1790	RELIEF PLUG ASSEMBLY, NONADJUST (STD)	1
8 1R0014	RELIEF SPRING GUIDE	1
9 1R0045	RELIEF PLUG ASSEMBLY, ADJUST (OPT.)	1
10 4Z4306	HANDLE BRACKET	2
11 1A0290	CENTERING SPRING WASHER	2
12 1A0291	STOP WASHER	2

\* THE SELECT-FIT HONING PROCESS AT FACTORY, WHICH FITS A SPOOL TO AN INDIVIDUAL VALVE BODY, ELIMINATES THE POSSIBILITY OF ORDERING THE VALVE BODY OR SPOOL AS SEPARATE ITEMS.

PART NO.	DESCRIPTION	QTY PER VALVE
13 1A0292	STOP COLLAR	2
14 1A0294	END CAP	2
15 1A0332	LIGHT CENTERING SPRING	2
16 1A0682	SHIM	AS REQD
17 1A0683	RELIEF SPRING 750—1250 PSI	1
18 1A0684	RELIEF SPRING 1250—1750 PSI	1
19 1A0685	RELIEF SPRING 1750—2250 PSI	1
20 1A0744	MEDIUM CENTERING SPRING (STD)	2
21 1A9000	RELIEF SPRING 250—750 PSI (OPT.)	1
22 1A9008	HEAVY CENTERING SPRING (OPT.)	2
23 2A0017-14	STEEL BALL (7/16")	1
24 2A0079-404	MACHINE SCREW	14
25 2A0283-7214	SPOOL SEAL	4
— 2A0349-8	1/2 NPTF 3 WAY PORT PLUG (REF.)	—
— 2A0349-12	3/4 NPTF PLUG (REF.)	—
26 2A0354-112	3/4-16 SAE PORT PLUG	1

SEE FM VCA1 FOR DIMENSIONAL DATA AND ORDERING INFORMATION.

# MODEL CD - 1 SPOOL DIRECTIONAL CONTROL VALVE



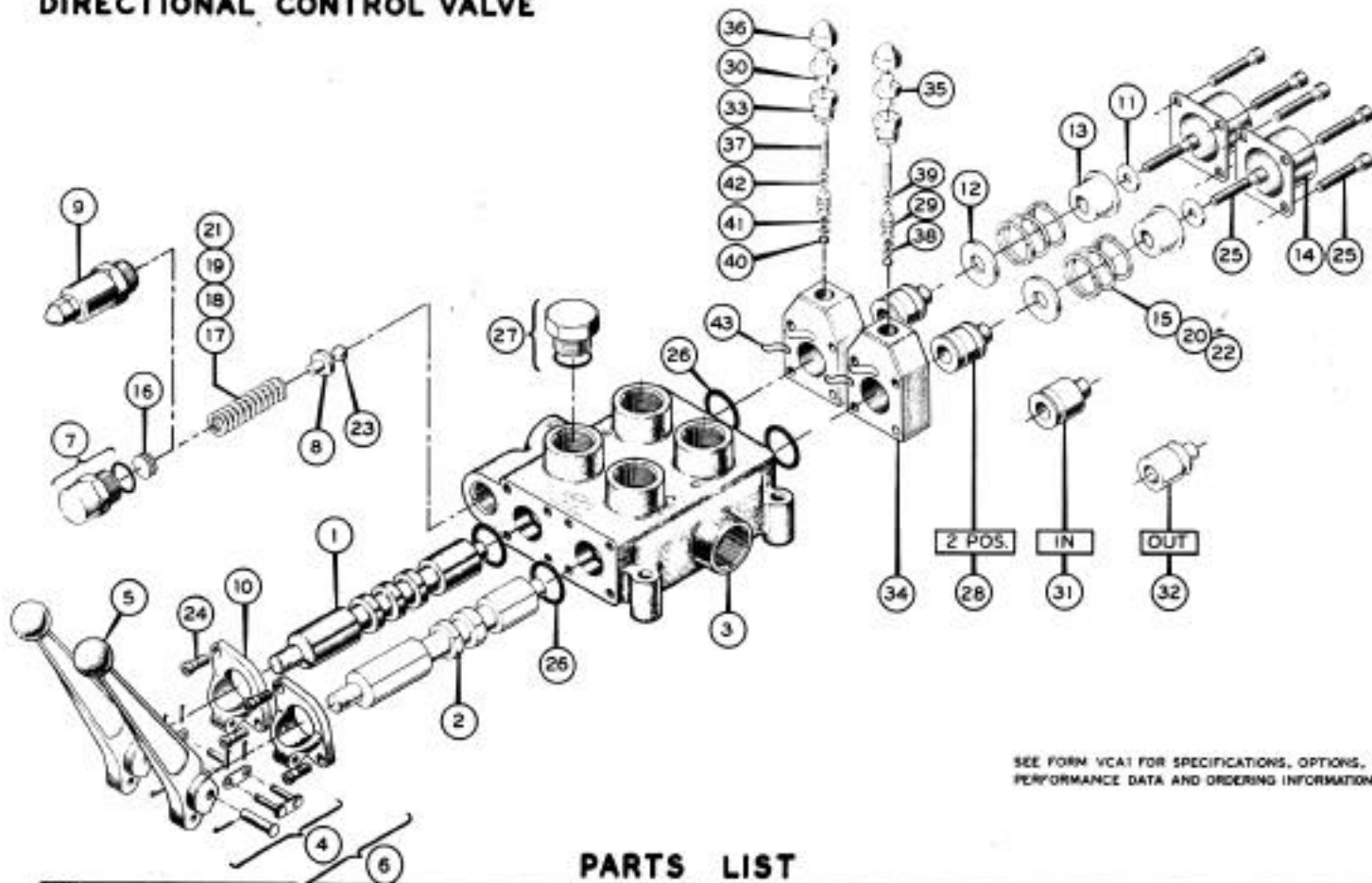
## PARTS LIST

QTY	PART NUMBER	DESCRIPTION	QTY
1	1V0003 *	4 WAY SPOOL - OPEN CENTER (STANDARD)	1
1	1V0006 *	3 WAY SPOOL - OPEN CENTER (OPTIONAL)	1
1	1V0007 *	4 WAY SPOOL - CLOSED CENTER (OPTIONAL)	1
1	1V0013 *	3 WAY SPOOL - CLOSED CENTER (OPTIONAL)	1
1	1V0312 *	VALVE HOUSING	1
1	1V1702	PIN KIT	1
1	1V1703	HANDLE	1
1	1V1705	HANDLE & BRACKET ASSEMBLY (REF.)	1
1	1V1790	RELIEF PLUG ASSEMBLY	1
1	1R0014	RELIEF SPRING GUIDE	1
1	1R0045	RELIEF PLUG ASSEMBLY (ADJUSTABLE OPTION)	1
1	4Z4306	HANDLE BRACKET	1
1	1A0290	CENTERING SPRING WASHER	1
1	1A0291	STOP WASHER	1
1	1A0292	STOP COLLAR	1
1	1A0294P	END CAP	1
1	1A0332	LIGHT CENTERING SPRING (OPT.)	1
AS REQD	1A0682	SHIM	
1	1A0683	RELIEF SPRING, 750-1250 PSI	1
1	1A0684	RELIEF SPRING, 1250-1750 PSI	1
1	1A0685	RELIEF SPRING, 1750-2250 PSI	1
1	1A0744	MEDIUM CENTERING SPRING (STANDARD)	1
1	1A9000	RELIEF SPRING, 250-750 PSI (OPT.)	1
1	1A9008	HEAVY CENTERING SPRING (OPT.)	1
1	2A0017-14	STEEL BALL (7/16")	1
2	2A0079-404	MACHINE SCREW	2
5	2A0079-414	MACHINE SCREW	5
2	2A0283-T214	SPOOL SEAL	2
-	2A0349-8	1/2 NPTF, 3 WAY PORT PLUG (REF.)	-
-	2A0349-12	3/4 NPTF PORT PLUG (REF.)	-
1	2A0354-112	3/4-16 SAE PORT PLUG ASSEMBLY	1
0	2V0003	SEAL KIT	0

QTY	PART NUMBER	DESCRIPTION	QTY
OPTIONAL MOTORING SPOOLS			
1	1V0005 *	4 WAY OPEN CENTER	1
1	1V0025 *	4 WAY CLOSED CENTER	1
1	1V0046 *	3 WAY OPEN CENTER	1
1	1V0047 *	3 WAY CLOSED CENTER	1
DETENT DETAILS			
1	1V0067	SLEEVE, 2-POSITION	1
1	1V0068 ▶	PRESSURE DETENT PISTON	1
1	1V0069 ▶	ADJUSTMENT SCREW	1
1	1V0070	SLEEVE, 1-POSITION "IN" (OPT.)	1
1	1V0071	SLEEVE, 1-POSITION "OUT" (OPT.)	1
1	1V0072 ▶	PISTON STOP	1
1	1V0263 ▶	DETENT HOUSING ASSEMBLY	1
1	1A0569 ▶	LOCK NUT	1
1	1A0570 ▶	ACORN NUT	1
1	1A0610 ▶	DETENT SPRING	1
1	2A0012-007 ▶	LOWER PISTON BACK-UP	1
1	2A0012-008 ▶	UPPER PISTON BACK-UP	1
1	2A0017-8 ▶	STEEL BALL (1/4")	1
1	2A0283-7007 ▶	LOWER PISTON O-RING	1
1	2A0283-7008 ▶	UPPER PISTON O-RING	1
1	2A0283-9017 ▶	HOUSING O-RING	1
<p>* THE SELECT-FIT HONING PROCESS AT FACTORY, WHICH FITS A SPOOL TO AN INDIVIDUAL VALVE BODY, ELIMINATES THE POSSIBILITY OF ORDERING THE VALVE BODY OR SPOOL AS SEPARATE ITEMS.</p> <p>▶ THESE PARTS ARE CONTAINED IN KIT NUMBER 1V0840. SLEEVE MUST BE ORDERED SEPARATELY.</p>			

CROSS MANUFACTURING INC. RESERVES THE RIGHT TO DISCONTINUE PRODUCTS AND/OR CHANGE DESIGN, SPECIFICATIONS OR PRICES AT ANY TIME WITHOUT INCURRING ANY OBLIGATION.

# MODEL CD-2 SPOOL DIRECTIONAL CONTROL VALVE



SEE FORM VCA1 FOR SPECIFICATIONS, OPTIONS,  
PERFORMANCE DATA AND ORDERING INFORMATION.

## PARTS LIST

PART NUMBER	DESCRIPTION	QTY
1 1V0003 *	4 WAY SPOOL—OPEN CENTER (STANDARD)	2
2 1V0006 *	3 WAY SPOOL—OPEN CENTER (OPTIONAL)	} AS REQD
— 1V0007 *	4 WAY SPOOL—CLOSED CENTER (OPTIONAL)	
— 1V0013 *	3 WAY SPOOL—CLOSED CENTER (OPTIONAL)	
3 1V0840 *	VALVE HOUSING	1
4 1V1702	PIN KIT	2
5 1V1703	HANDLE	2
6 1V1705	HANDLE & BRACKET ASSEMBLY (REF.)	—
7 1V1790	RELIEF PLUG ASSEMBLY	1
8 1R0014	RELIEF SPRING GUIDE	1
9 1R0045	RELIEF PLUG ASSEMBLY (ADJUSTABLE OPTION)	1
10 424306	HANDLE BRACKET	2
11 1A0290	CENTERING SPRING WASHER	2
12 1A0291	STOP WASHER	2
13 1A0292	STOP COLLAR	2
14 1A0294P	END CAP	2
15 1A0332	LIGHT CENTERING SPRING (OPT.)	2
16 1A0682	SHIM	AS REQD
17 1A0683	RELIEF SPRING, 750—1250 PSI	1
18 1A0684	RELIEF SPRING, 1250—1750 PSI	1
19 1A0685	RELIEF SPRING, 1750—2250 PSI	1
20 1A0744	MEDIUM CENTERING SPRING (STANDARD)	2
21 1A9000	RELIEF SPRING, 250—750 PSI (OPT.)	1
22 1A9008	HEAVY CENTERING SPRING	2
23 2A0017-14	STEEL BALL (7/16")	1
24 2A0079-404	MACHINE SCREW	4
25 2A0079-414	MACHINE SCREW	10
26 2A0283-7214	SPOOL SEAL	4
— 2A0349-8	1/2 NPTF, 3 WAY PORT PLUG (REF.)	—
— 2A0349-12	3/8 NPTF PORT PLUG (REF.)	—
27 2A0354-112	3/4-16 SAE PORT PLUG ASSEMBLY	1
— 2V0004	SEAL KIT	0

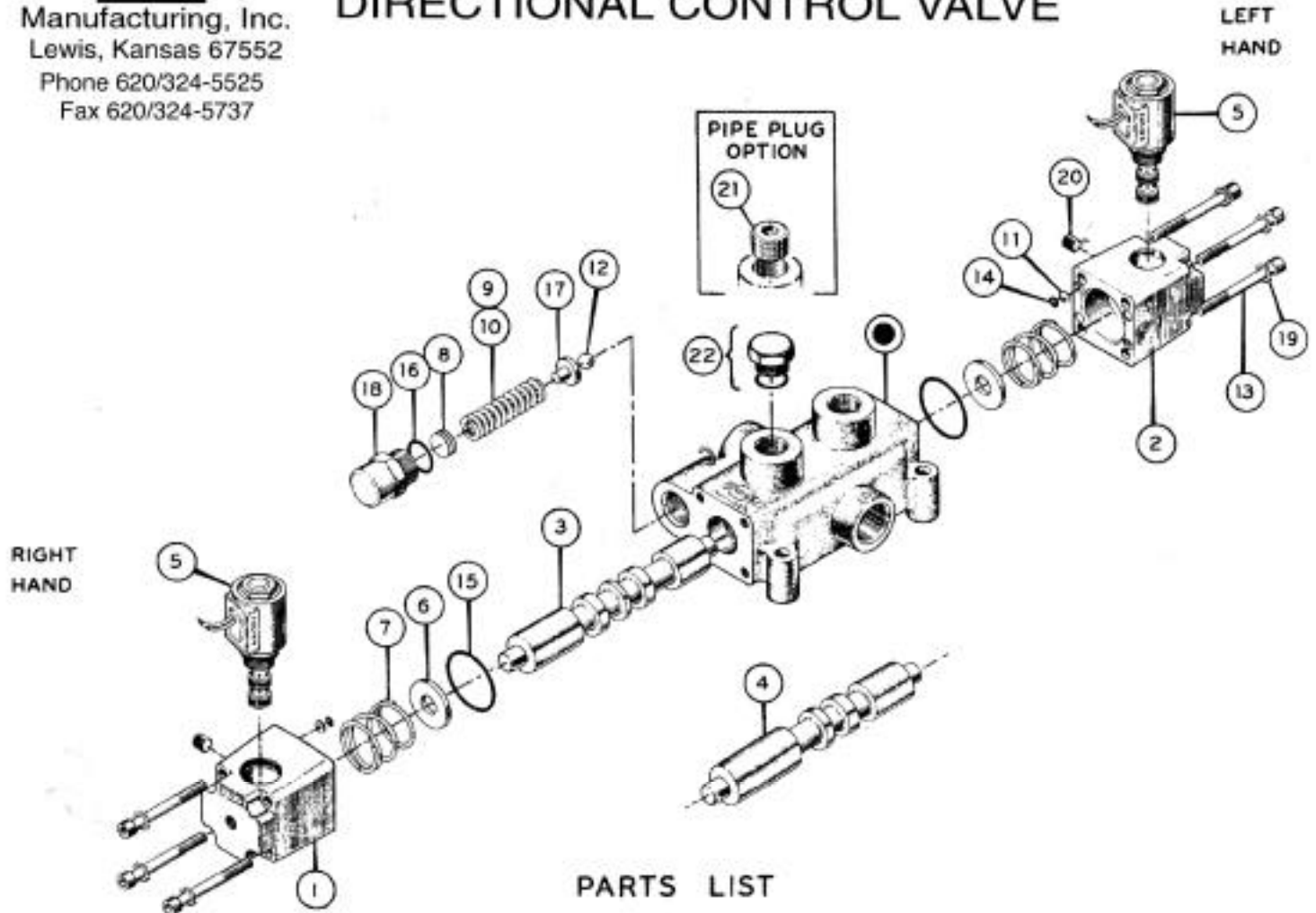
PART NUMBER	DESCRIPTION	QTY
OPTIONAL MOTORING SPOOLS		
— 1V0005 *	4 WAY OPEN CENTER	} AS REQD
— 1V0025 *	4 WAY CLOSED CENTER	
— 1V0046 *	3 WAY OPEN CENTER	
— 1V0047 *	3 WAY CLOSED CENTER	
DETENT DETAILS		
28 1V0067	SLEEVE, 2-POSITION	2
29 1V0068 ▶	PRESSURE DETENT PISTON	2
30 1V0069 ▶	ADJUSTMENT SCREW	2
31 1V0070	SLEEVE, 1-POSITION "IN" (OPT.)	2
32 1V0071	SLEEVE, 1-POSITION "OUT" (OPT.)	2
33 1V0072 ▶	PISTON STOP	2
34 1V0263 ▶	DETENT HOUSING ASSEMBLY	2
35 1A0569 ▶	LOCK NUT	2
36 1A0570 ▶	ACORN NUT	2
37 1A0610 ▶	DETENT SPRING	2
38 2A0012-007 ▶	LOWER PISTON BACK-UP	2
39 2A0012-008 ▶	UPPER PISTON BACK-UP	2
40 2A0017-B ▶	STEEL BALL (1/4")	2
41 2A0283-T007 ▶	LOWER PISTON O-RING	2
42 2A0283-T008 ▶	UPPER PISTON O-RING	2
43 2A0283-9017 ▶	HOUSING O-RING	2
<p>* THE SELECT-FIT HOMING PROCESS AT FACTORY, WHICH FITS A SPOOL TO AN INDIVIDUAL VALVE BODY, ELIMINATES THE POSSIBILITY OF ORDERING THE VALVE BODY OR SPOOL AS SEPARATE ITEMS.</p> <p>▶ THESE PARTS ARE CONTAINED IN KIT NUMBER 1V0840. SLEEVE MUST BE ORDERED SEPARATELY.</p>		





Manufacturing, Inc.  
Lewis, Kansas 67552  
Phone 620/324-5525  
Fax 620/324-5737

# MODEL CS (ONE SPOOL) DIRECTIONAL CONTROL VALVE



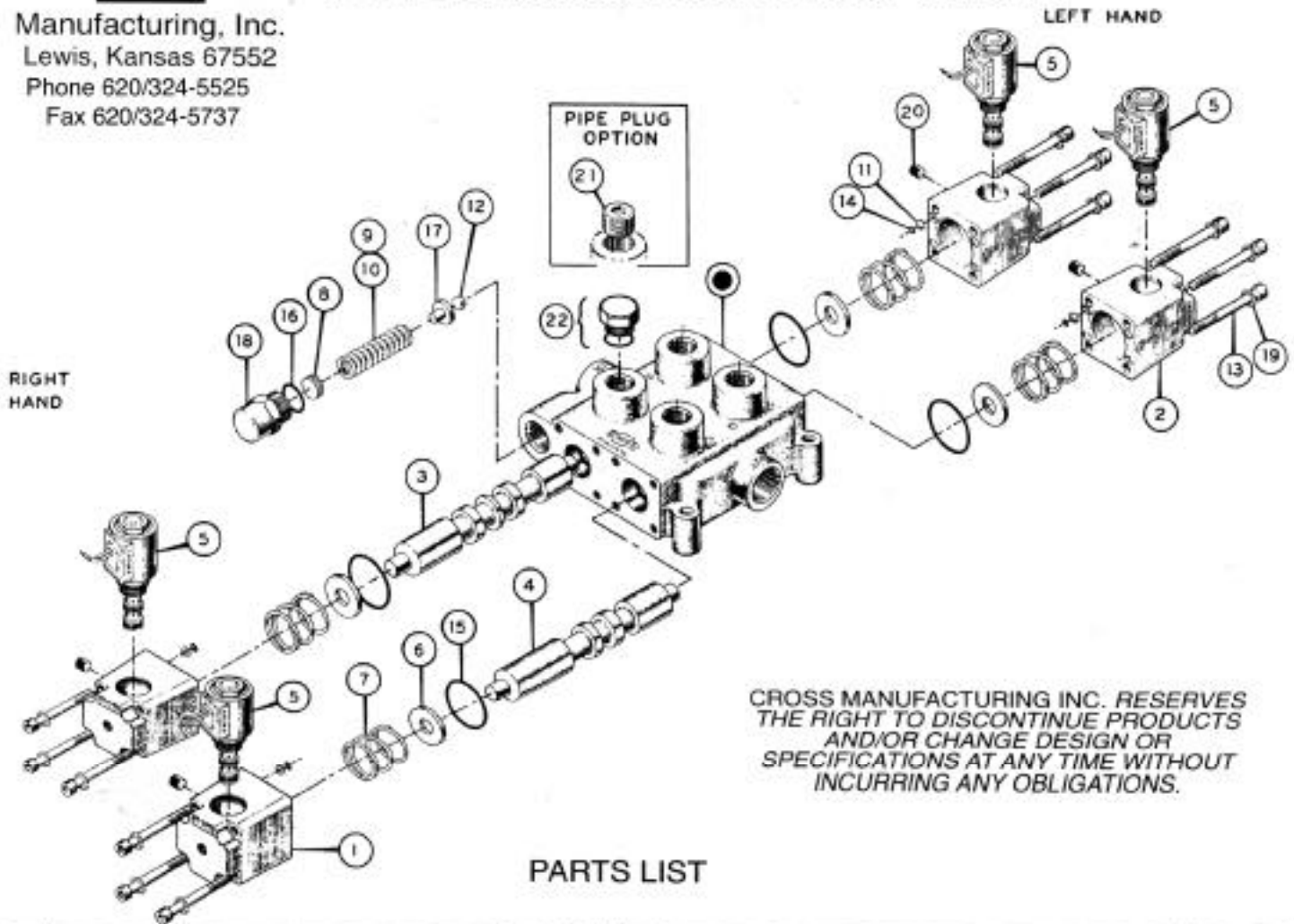
## PARTS LIST

PART NO.	DESCRIPTION	QTY. REQD.	PART NO.	DESCRIPTION	QTY. REQD.
1	1V2062 SOLENOID HOUSING(R.H./O.C.)	1	<b>SMALL PARTS</b>		
2	1V2063 SOLENOID HOUSING(L.H./O.C.)	1	6	1A0291 STOP WASHER	2
	1V2064 SOLENOID HOUSING(R.H./C.C.)	OPT.	7	1A0663 CENTERING SPRING	2
	1V2065 SOLENOID HOUSING(L.H./C.C.)	OPT.	8	1A0682 SHIM	AS REQD
	<b>SPOOLS</b> ●		9	1A9000 RELIEF SPRING(250-750)	OPT.
3	1V0220 4-WAY(OPEN CENTER)	1	10	1A0683 RELIEF SPRING(750-1250)	OPT.
4	1V0222 3-WAY(OPEN CENTER)	OPT.		1A0684 RELIEF SPRING(1250-1750)	1
	<b>SOLENOID ASSEMBLIES</b>			1A0685 RELIEF SPRING(1750-2250)	OPT.
5	1A9330 12 VOLT	2	11	1A0706 O-RING RETAINER*	2
	1A9331 24 VOLT	OPT.	12	2A0017-14 STEEL BALL 7/16	1
	1A9332 120 VOLT	OPT.	13	2A0079-424 MACHINE SCREW	8
	1A9333 240 VOLT	OPT.	14	2A0283-7007 O-RING*	2
			15	2A0283-9027 SOLENOID HOUSING O-RING	2
			16	2A0283-9910 RELIEF PLUG O-RING	1
			17	1R0014 RELIEF SPRING GUIDE	1
			18	1R0028 RELIEF PLUG	1
			19	2A0736-304 LOCK WASHER	8
				<b>PORT PLUGS</b>	
			20	2A0349-1 1/16 NPTF*	2
			21	2A0349-8 1/2 NPTF 3-WAY	OPT.
				2A0349-12 3/4 NPTF 3-WAY	OPT.
			22	2A0354-112 SAE PLUG ASS'Y 3-WAY 3/4-16	OPT.
				2A0354-117 SAE PLUG ASS'Y 3-WAY 1 1/16-12	OPT.
<p>● THE SELECT-FIT HONING PROCESS AT FACTORY WHICH FITS A SPOOL TO AN INDIVIDUAL VALVE BODY, ELIMINATES THE POSSIBILITY OF ORDERING THE VALVE BODY OR SPOOL AS A SEPARATE PART.</p>					
<p>* OPEN CENTER COMPONENTS ILLUSTRATED: FOR CLOSED CENTER VALVE THE QUANTITY DOUBLES.</p>					



# MODEL CS (TWO SPOOL) DIRECTIONAL CONTROL VALVE

Manufacturing, Inc.  
Lewis, Kansas 67552  
Phone 620/324-5525  
Fax 620/324-5737



CROSS MANUFACTURING INC. RESERVES THE RIGHT TO DISCONTINUE PRODUCTS AND/OR CHANGE DESIGN OR SPECIFICATIONS AT ANY TIME WITHOUT INCURRING ANY OBLIGATIONS.

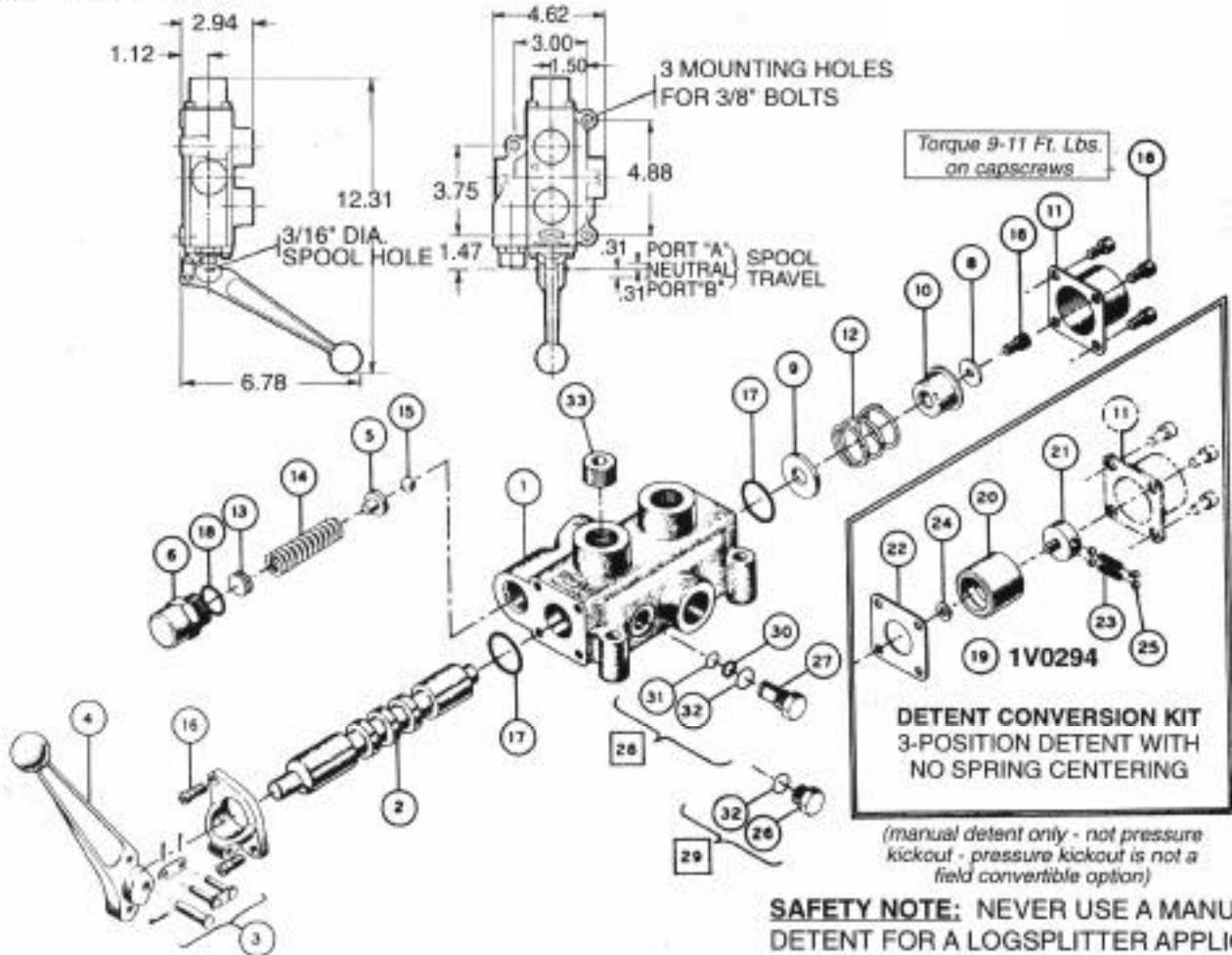
## PARTS LIST

PART NO.	DESCRIPTION	QTY. REQD.	PART NO.	DESCRIPTION	QTY. REQD.
1	1V2062 SOLENOID HOUSING(R.H./O.C.)	2	<b>SMALL PARTS</b>		
2	1V2063 SOLENOID HOUSING(L.H./O.C.)	2	6	1A0291 STOP WASHER	4
	1V2064 SOLENOID HOUSING(R.H./C.C.)	OPT.	7	1A0663 CENTERING SPRING	4
	1V2065 SOLENOID HOUSING(L.H./C.C.)	OPT.	8	1A0682 SHIM	AS REQD
<b>SPOOLS</b> ●			9	1A9000 RELIEF SPRING(250-750)	OPT.
3	1V0220 4-WAY(OPEN CENTER)	2	10	1A0683 RELIEF SPRING(750-1250)	OPT.
4	1V0222 3-WAY(OPEN CENTER)	OPT.		1A0684 RELIEF SPRING(1250-1750)	1
<b>SOLENOID ASSEMBLIES</b>				1A0685 RELIEF SPRING(1750-2250)	OPT.
5	1A9330 12 VOLT	4	11	1A0706 O-RING RETAINER*	4
	1A9331 24 VOLT	OPT.	12	2A0017-14 STEEL BALL 7/16	1
	1A9332 120 VOLT	OPT.	13	2A0079-424 MACHINE SCREW	16
	1A9333 240 VOLT	OPT.	14	2A0283-7007 O-RING*	4
THE SELECT-FIT HONING PROCESS AT FACTORY WHICH FITS A SPOOL TO AN INDIVIDUAL VALVE BODY, ELIMINATES THE POSSIBILITY OF ORDERING THE VALVE BODY OR SPOOL AS A SEPARATE PART.			15	2A0283-9027 SOLENOID HOUSING O-RING	4
			16	2A0283-9910 RELIEF PLUG O-RING	1
* OPEN CENTER COMPONENTS ILLUSTRATED: FOR CLOSED CENTER VALVE THE QUANTITY DOUBLES.			17	1R0014 RELIEF SPRING GUIDE	1
			18	1R0028 RELIEF PLUG	1
SEE VCS91 1/80 FOR PLUMBING & BACK PRESSURE CHECK REQUIREMENTS			19	2A0736-304 LOCK WASHER	16
			<b>PORT PLUGS</b>		
			20	2A0349-1 1/16 NPTF*	4
			21	2A0349-8 1/2 NPTF 3-WAY	OPT.
				2A0349-12 3/4 NPTF 3-WAY	OPT.
			22	2A0354-112 SAE PLUG ASS'Y 3-WAY 3/4-16	OPT.
				2A0354-117 SAE PLUG ASS'Y 3-WAY 1 1/16-12	OPT.



## CV Series (Converta) Parts List

### DIMENSIONAL DATA:



Torque 9-11 Ft. Lbs.  
on capscrews

**DETENT CONVERSION KIT**  
3-POSITION DETENT WITH  
NO SPRING CENTERING

*(manual detent only - not pressure  
kickout - pressure kickout is not a  
field convertible option)*

**SAFETY NOTE: NEVER USE A MANUAL  
DETENT FOR A LOGSPLITTER APPLICATION**

Part Number	Description	QTY.
1 1V0278 *	VALVE HOUSING	1
2 1V0003 *	SPOOL	1
3 1V1702	PIN KIT	1
4 1V1703	HANDLE	1
5 1R0014	RELIEF SPRING GUIDE	1
6 1R0028	RELIEF PLUG	1
7 4Z4306	HANDLE BRACKET	1
8 1A0290	CENTERING SPRING WASHER	1
9 1A0291	STOP WASHER	1
10 1A0292	STOP COLLAR	1
11 1A0294P	END CAP	1
12 1A0744	CENTERING SPRING	1
13 1A0682	SHIM	AS REQ'D
14 1A0684	RELIEF SPRING (1250-1750)	1
15 2A0017-14	BALL (7/16 STEEL)	1
16 2A0079-404N	MACHINE SCREW	7
17 2A0283-7214	SPOOL O-RING	2
18 2A0283-9910	RELIEF PLUG O-RING	1

Part Number	Description	QTY.
<b>SPECIAL PARTS FOR 3-POSITION DETENT</b>		
<b>NO SPRING CENTERING OPTION</b>		
19 1V0294	DETENT CONV. KIT	AS REQ'D
20 1V0269	DETENT SLEEVE	1
21 1V0272	DETENT RETAINER	1
22 1A0710	RETAINER PLATE	1
23 1A0739	DETENT SPRING	2
24 2A0736-104P	LOCKWASHER	1
25 2A0017-8	BALL (1/4 STEEL)	4
<b>CONVERSION PARTS</b>		
26 2A0354-8	3-WAY CONV. PLUG	1
27 1V0276	4-WAY CONV. PLUG	1
28 1V0277	4-WAY CONV. PLUG ASSY.	1
29 2A0354-108	3-WAY CONV. PLUG ASSY.	1
30 2A0012-010	BACK-UP SEAL	1
31 2A0283-7010	O-RING	1
32 2A0283-9905	O-RING	2
33 2A0349-8	3-WAY PORT PLUG, 1/2" NPTF	1
2V0001	REPLACEMENT SEAL KIT	

\* The factory select-fit honing process, which fits a spool to an individual valve body, eliminates the possibility of ordering the valve body or spool as separate items.



CROSS MANUFACTURING, INC.  
100 Factory Street  
Lewis, Kansas 67552