



HYDRAULIC VALVE

DV
LOADER SERIES

The CROSS DV series

directional control loader valve offers extremely low leakage with outstanding load-holding capability in a compact, space saving model. All ports come out the same surface of the valve and it will fit in a space less than 6 inches wide. Float and regen capabilities, load checks, built-in power beyond and single handle actuator make this valve ideally suited for the mobile loader market.



GENERAL SPECIFICATIONS

Number of spools	two
Rated working pressure.	3000 psi
Maximum shock and surge pressure	4000 psi
Rated flow capacity (2 spool options available)	8-10 gpm, 15 gpm
Mounting - bottom surface	Two mounting holes for 5/16" dia. bolts
Maximum spool leakage (at 1000 psi w/120 SUS oil at 120°F)5 cc/min

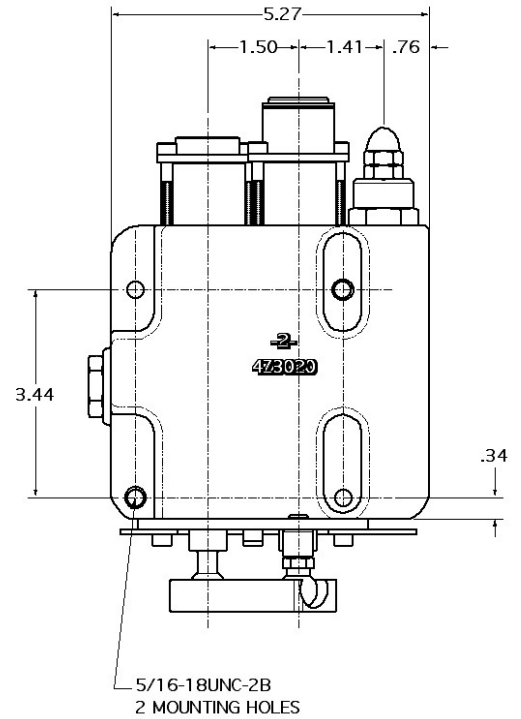
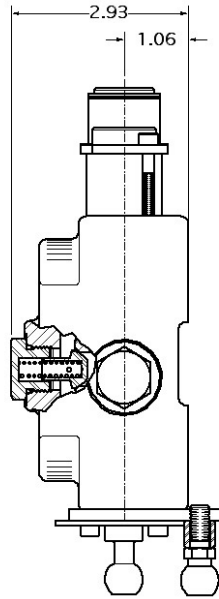
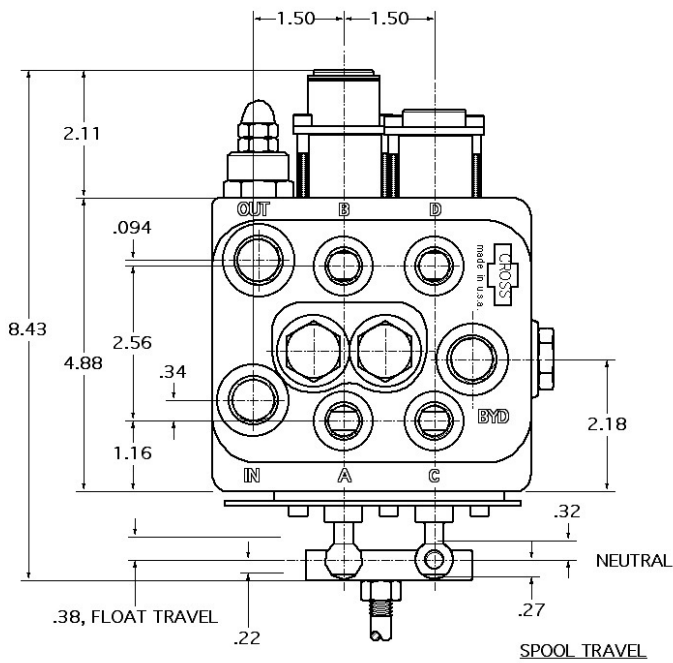
MATERIAL SPECIFICATIONS

Body	Class 50 grey iron
Spools	Ground, plated and polished steel alloy
Seals	Buna N

STANDARD FEATURES

- Parallel operation
- Excellent spool metering characteristics
- Open center: 4 way, 4 position (float) on first spool;
4 way, 3 position or regen on second spool
- Integral load holding check valves prevent reverse when shifting from neutral
- Integral differential poppet type relief valve, adjustable
- Balanced, select-fit spools to provide minimum leakage, smooth operation
- 3/4 - 16 (SAE #8) inlet, outlet and power beyond with 9/16-18 (SAE #6) work ports
- Built-in power beyond capability
- Single handle actuator assembly with rubber boot

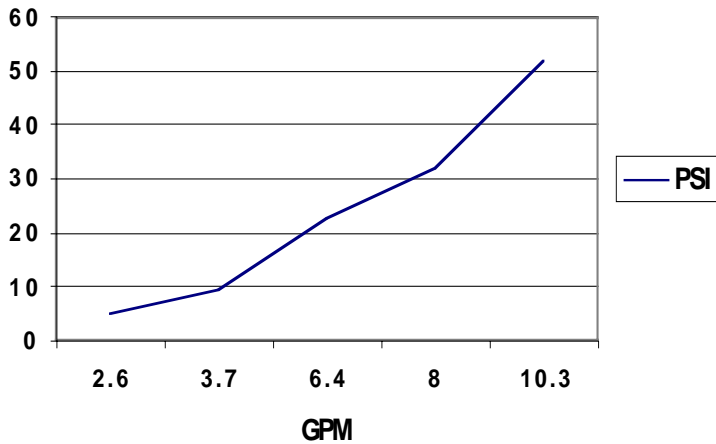
Dimensional Data



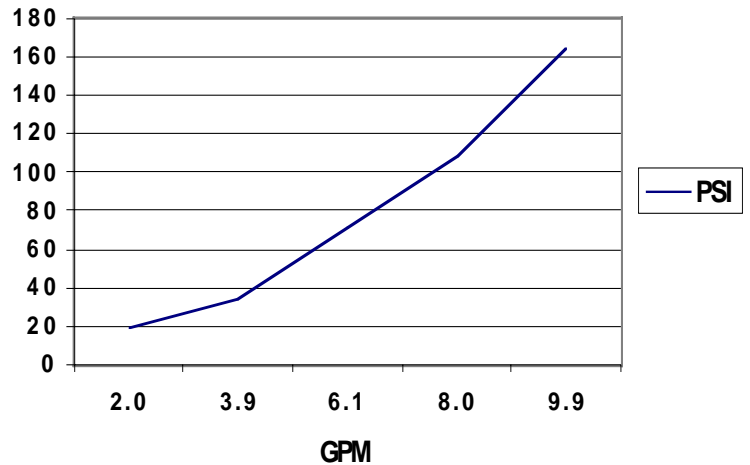
Pressure Drop

8 GPM spool, SAE#8 in and out, SAE #6 work ports
100 to 110 degrees F. with 120 SUS oil

P - T Neutral



P-A-B-T



CROSS MANUFACTURING INC.
100 James H. Cross Blvd.
Lewis, Kansas 67552
Phone (620) 324-5525 Fax (620) 324-5737
www.crossmfg.com