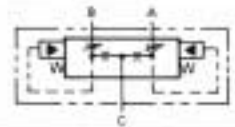




# HYDRAULIC VALVES

(FLOW CONTROL)

## FLOW DIVIDER FD SERIES Specification Sheet



The CROSS series FD proportional flow divider is a biased pressure compensated flow regulator, specifically designed for use as a hydrostatic transmission anti-spin out valve. Various orifice sizes are available to provide required limited slip differential action. One or more units may be used per vehicle, dependent upon anti-spin out requirements in forward and reverse.

### GENERAL SPECIFICATIONS

Maximum working pressure.....	5000 psi (345 bar)
Maximum shock and surge pressure.....	6000 psi (414 bar)
Maximum flow capacity* .....	up to 60 gpm (227 l/m)
Shipping weight .....	7 lbs. (3.2 Kg)
Mounting .....	2-bolt, any position
* Dependent on orifice size	

### MATERIAL SPECIFICATIONS

Body .....	High tensile strength cast iron
Spool.....	Ground and polished steel
Seals .....	Buna N

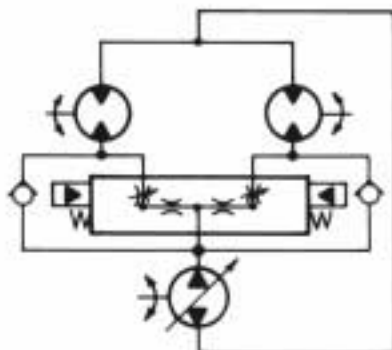
### STANDARD FEATURES

- 1<sup>1</sup>/<sub>16</sub> - 12 (3/4", SAE #12) o-ring ports

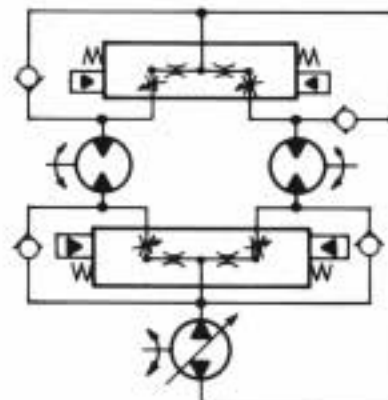
### OPTIONAL FEATURES AVAILABLE

- 7/8-14 (3/8", SAE #10) ports

### TYPICAL APPLICATIONS



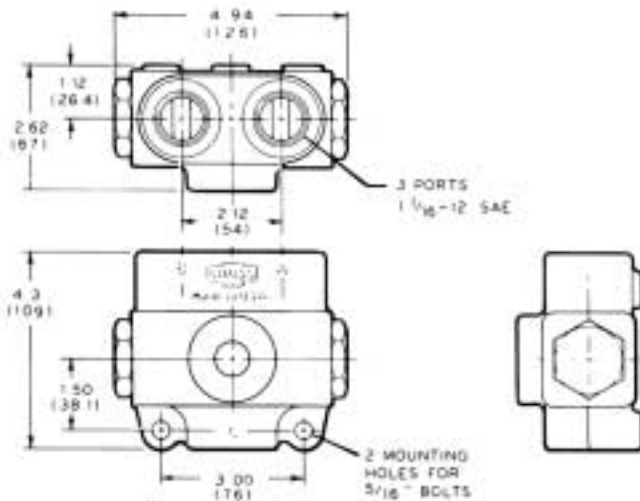
Uni-directional anti-slip  
(one direction only)



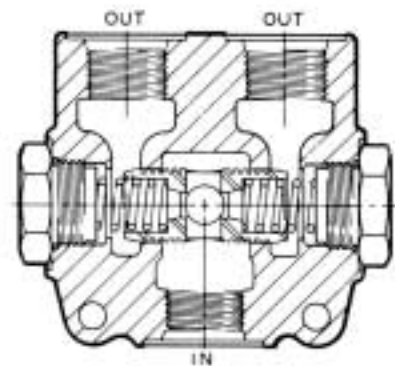
Bi-directional anti-slip  
(forward and reverse)



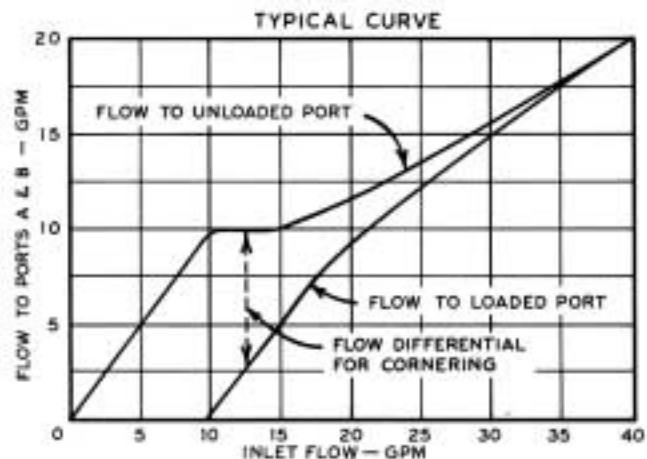
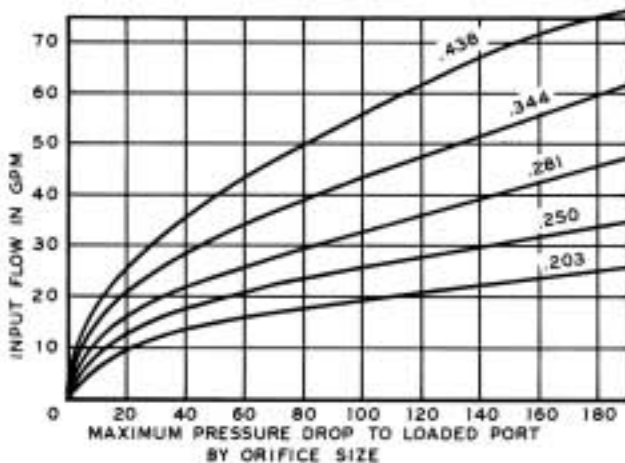
**DIMENSIONAL DATA** in inches and (millimeters)



**INTERNAL CONFIGURATION**



**TYPICAL PERFORMANCE DATA**



**ORDERING DATA**

The proper orifice size must be calculated for each application. The following information should be supplied to the CROSS Mfg. Co. Engineering Department.

- Maximum system flow \_\_\_\_\_ gpm.
- Maximum system flow while cornering \_\_\_\_\_ gpm.
- Inside turning radius \_\_\_\_\_ feet.
- Outside turning radius \_\_\_\_\_ feet.
- Pressure: Typical \_\_\_\_\_ psi; Maximum \_\_\_\_\_ psi.
- Enclose hydraulic circuit.

NOTE: A factory stock number will be assigned when proper orifice sizes are determined.



**CROSS MANUFACTURING, INC.**  
100 Factory Street  
Lewis, Kansas 67552  
620/324-5525 Fax -5737