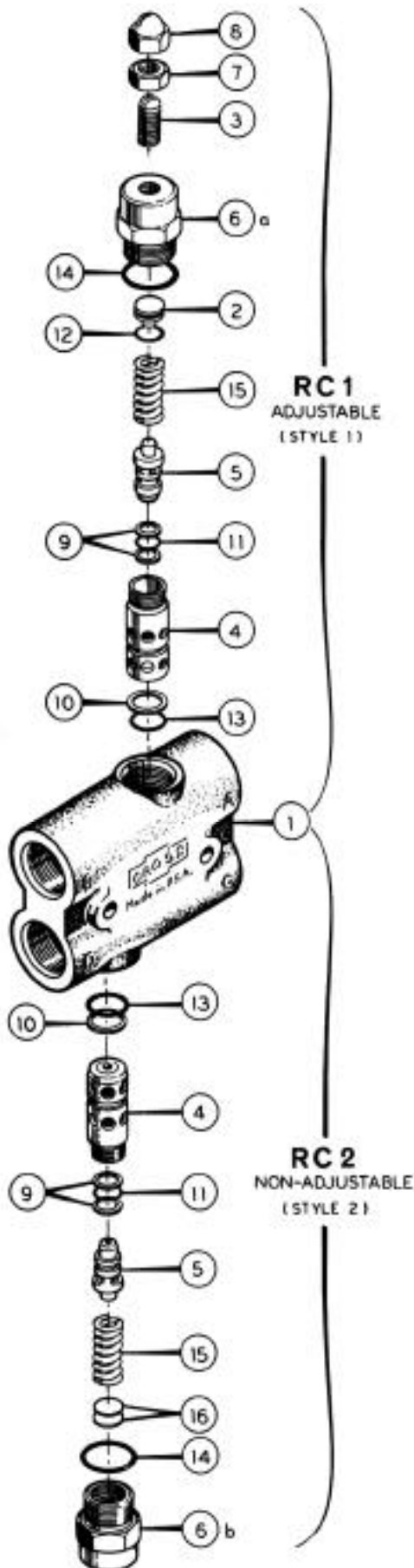


# Model RC

## DIFFERENTIAL-POPPET DUAL RELIEF VALVE



### PARTS LIST

PART NUMBER	DESCRIPTION	QTY
RELIEF HOUSING OPTIONS		
1R0051	WITH 1/2" NPTF PORTS (OPTIONAL)	1
1R0052	WITH 3/4" NPTF PORTS (OPTIONAL)	1
1R0053	WITH 3/4"-16 SAE PORTS (OPTIONAL)	1
1R0054	WITH 7/8"-14 SAE PORTS (OPTIONAL)	1
1R0055	WITH 1 1/16"-12 (3/4" SAE 12) PORTS (STANDARD)	1

PARTS FOR RC1-ADJUSTABLE RELIEF (STYLE 1)			
1R0047 - STANDARD RELIEF CARTRIDGE			
2	1R0013	RELIEF PISTON	1
3	1R0015	ADJUSTMENT SCREW	1
4	1R0019	LOWER BODY	1
5	1R0057	POPPET	1
6a	1R0214	PLUG (UPPER BODY)	1
7	1A0569	NUT (3/8"-24)	1
8	1A0570	ACORN NUT	1
9	2A0007-011	BACK-UP (POPPET)	2
10	2A0007-015	BACK-UP (LOWER BODY)	1
11	2A0283-7011	O-RING (POPPET)	1
12	2A0283-7012	O-RING (PISTON)	1
13	2A0283-7015	O-RING (LOWER BODY)	1
14	2A0283-9910	O-RING (PLUG)	1
15	2A9048-7	SPRING (1500-2999 PSI)	1
	2V0015	SEAL KIT	0
SPECIAL PART FOR 1R0048 - OPTIONAL RELIEF CARTRIDGE			
15	2A9048-6	SPRING (500-1499 PSI)	1
SPECIAL PART FOR 1R0088 - OPTIONAL			
15	2A9048-8	SPRING (3000-4000)	1

PARTS FOR RC2 -NON-ADJUSTABLE RELIEF (STYLE 2)			
1R0049 - STANDARD RELIEF CARTRIDGE			
4	1R0019	LOWER BODY	1
5	1R0057	POPPET	1
6b	1R0219	PLUG (UPPER BODY)	1
9	2A0007-011	BACK-UP (POPPET)	2
10	2A0007-015	BACK-UP (LOWER BODY)	1
11	2A0283-7011	O-RING (POPPET)	1
13	2A0283-7015	O-RING (LOWER BODY)	1
14	2A0283-9910	O-RING (PLUG)	1
15	2A9048-7	SPRING (1500-2999 PSI)	1
16	1A0687	SHIM (.010 THICK)	AS REQD
	1A0688	SHIM (.030 THICK)	
SPECIAL PART FOR 1R0048 - OPTIONAL RELIEF CARTRIDGE			
15	209048-6	SPRING (500-1499 PSI)	1
SPECIAL PART FOR 1R0087 - OPTIONAL			
15	2A9048-8	SPRING (3000-4000)	1

TO INCREASE PRESSURE IN THE STYLE 2 CARTRIDGE, ADD SHIMS (16); TO DECREASE PRESSURE, REMOVE SHIMS. USE CARE WHEN SEPARATING PLUG (6)b FROM LOWER BODY (4) SO THAT THE LOWER BODY IS NOT DAMAGED.

**CAUTION**  
NEVER ATTEMPT TO ADJUST PRESSURE WITHOUT THE USE OF A RELIABLE GAGE IN THE SYSTEM

# MODEL RD

## DIFFERENTIAL - POPPET RELIEF VALVE

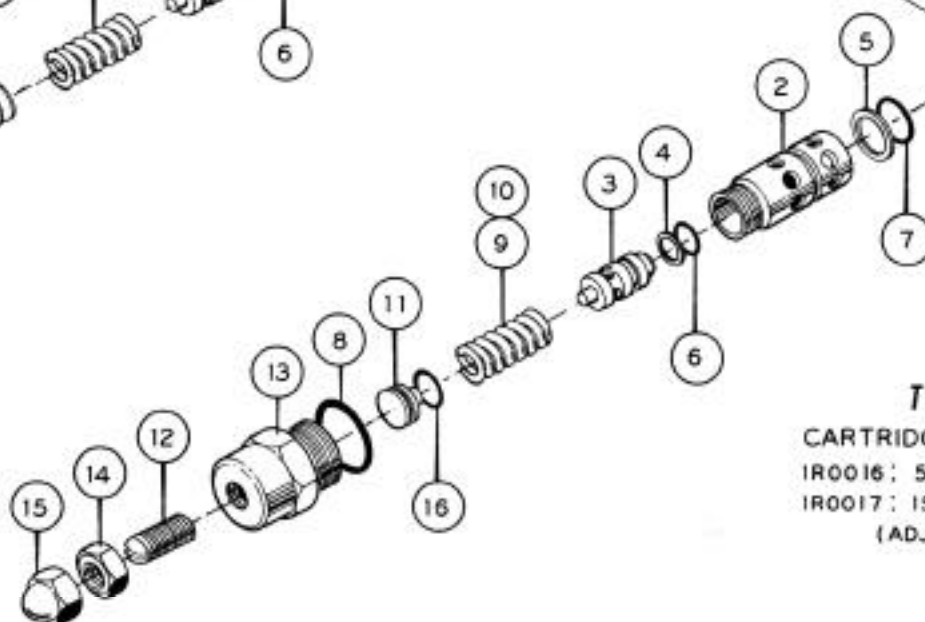
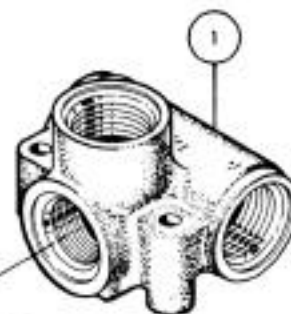
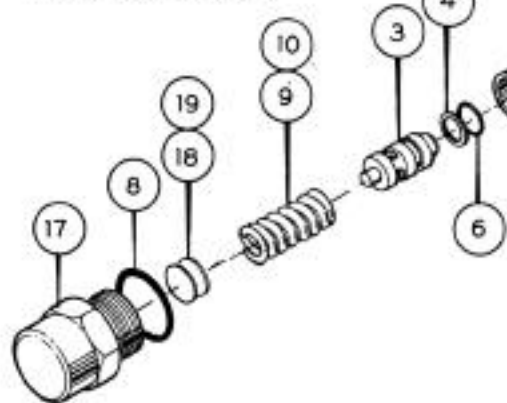
### TYPE 2

#### CARTRIDGE ASSEMBLY

1R0021 : 500 - 1500 PSI

1R0037 : 1500 - 3000 PSI

(NON-ADJUSTABLE)



### TYPE 1

#### CARTRIDGE ASSEMBLY

1R0016 : 500 - 1500 PSI

1R0017 : 1500 - 3000 PSI

(ADJUSTABLE)

TO INCREASE THE PRESSURE IN TYPE 2 CARTRIDGE, ADD MORE SHIMS. CAUTION SHOULD BE USED WHEN SEPARATING THE CARTRIDGE, SO THAT THE LOWER BODY (1R0019) IS NOT DAMAGED. NEVER ATTEMPT TO ADJUST PRESSURE WITHOUT THE USE OF A RELIABLE GAUGE IN THE SYSTEM !

## PARTS LIST

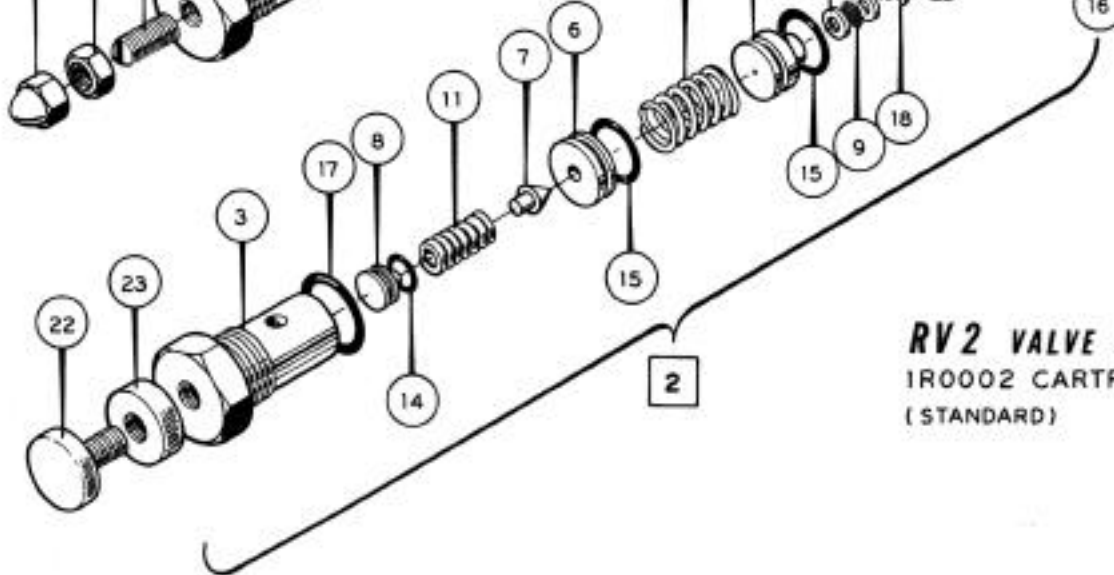
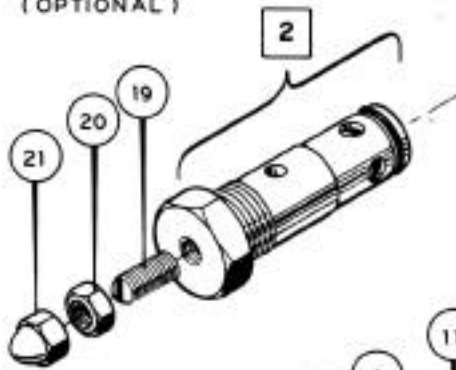
○	PART NO.	DESCRIPTION	QTY
	1R0023	W/ 1/2 NPTF PORTS (OPTIONAL) . . . . .	1
	1R0024	W/ 3/4 NPTF PORTS (OPTIONAL) . . . . .	1
	1R0025	W/ 3/4 -16 SAE PORTS (OPTIONAL) . . . . .	1
	1R0026	W/ 7/8 -14 SAE PORTS (OPTIONAL) . . . . .	1
①	1R0027	W/ 1 1/16 -12 SAE PORTS, STD HOUSING . . . . .	1
CARTRIDGE PARTS COMMON TO BOTH TYPE 1 & TYPE 2			
②	1R0019	LOWER BODY . . . . .	1
③	1R0020	RELIEF POPPET . . . . .	1
④	2A0007-011	POPPET BACKUP . . . . .	1
⑤	2A0010-015	LOWER BODY BACKUP . . . . .	1
⑥	2A0283-7011	POPPET O-RING . . . . .	1
⑦	2A0283-7015	LOWER BODY O-RING . . . . .	1
⑧	2A0283-9910	PLUG O-RING . . . . .	1
⑨	2A9048-6	SPRING (500-1500 PSI) STANDARD . . . . .	1
⑩	2A9048-7	SPRING (1500-3000 PSI) OPTIONAL . . . . .	1

○	PART NO.	DESCRIPTION	QTY
SPECIAL PARTS FOR TYPE 1 CARTRIDGE			
⑪	1R0013	PISTON . . . . .	1
⑫	1R0015	ADJUSTMENT SCREW . . . . .	1
⑬	1R0214	UPPER BODY . . . . .	1
⑭	1A0589	LOCKNUT . . . . .	1
⑮	1A0570	ACORN NUT . . . . .	1
⑯	2A0283-7012	PISTON O-RING . . . . .	1
SPECIAL PARTS FOR TYPE 2 CARTRIDGE			
⑰	1R0219	UPPER BODY . . . . .	1
⑱	1A0687	SHIM (.010 THICK) . . . . .	AS REQD
⑲	1A0688	SHIM (.030 THICK) . . . . .	AS REQD
CROSS MANUFACTURING INC. RESERVES THE RIGHT TO DISCONTINUE PRODUCTS AND/OR TO CHANGE DESIGN, SPECIFICATIONS OR PRICES AT ANY TIME WITHOUT INCURRING ANY OBLIGATION.			

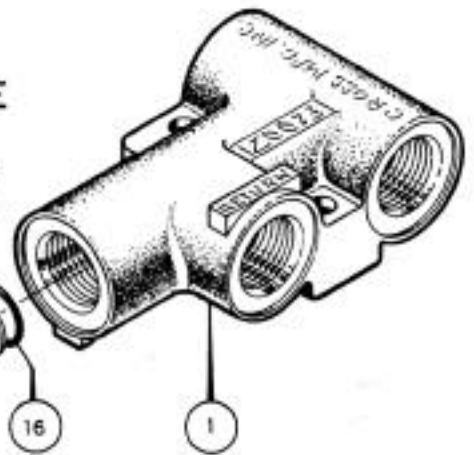
# MODEL RV

## PILOT OPERATED RELIEF VALVE

**RV1 VALVE** INCLUDES  
1R0001 CARTRIDGE  
(OPTIONAL)



**RV2 VALVE** INCLUDES  
1R0002 CARTRIDGE  
(STANDARD)



**NEVER ATTEMPT TO ADJUST PRESSURE WITHOUT THE USE OF A RELIABLE GAGE IN THE SYSTEM !**

### PARTS LIST

QTY	PART NO.	DESCRIPTION
<b>RELIEF VALVE HOUSING</b>		
	1R0003	WITH 3/4" NPTF PORTS (OPTIONAL) . . . 1
	1R0004	WITH 7/8-14 SAE PORTS (OPTIONAL) . . . 1
1	1R0005	WITH 1 1/16-12 SAE PORTS (STANDARD) . . . 1
2	1R0040	CARTRIDGE ASSEMBLY INCLUDES :
3	1R0006	CARTRIDGE BODY . . . . . 1
4	1R0007	POPPET BODY . . . . . 1
5	1R0008	RELIEF POPPET . . . . . 1
6	1R0009	PILOT SEAT . . . . . 1
7	1R0012	PILOT POPPET . . . . . 1
8	1R0013	RELIEF SPRING PISTON . . . . . 1
9	1C1237	SCREEN . . . . . 1
10	1A0583	SPRING . . . . . 1
11	1A0584	PILOT SPRING . . . . . 1
12	1A0588	SPECIAL WASHER . . . . . 2
13	2A0007-018	POPPET BODY BACK-UP . . . . . 1
14	2A0283-7012	PISTON O-RING . . . . . 1

QTY	PART NO.	DESCRIPTION
2	2A0283-7016	POPPET O-RING . . . . . 2
1	2A0283-9018	POPPET-BODY O-RING . . . . . 1
1	2A0283-9912	BODY O-RING . . . . . 1
1	2A0466-37	RETAINING RING . . . . . 1
<b>SPECIAL PARTS FOR 1R0001 CARTRIDGE (OPTIONAL)</b>		
1	1R0015	ADJUSTMENT SCREW . . . . . 1
1	1A0569	LOCK NUT . . . . . 1
1	1A0570	ACORN NUT . . . . . 1
<b>SPECIAL PARTS FOR 1R0002 CARTRIDGE (STANDARD)</b>		
1	1R0010	ADJUSTMENT SCREW . . . . . 1
1	1R0011	LOCK NUT . . . . . 1

CROSS MANUFACTURING INC. RESERVES THE RIGHT TO DISCONTINUE PRODUCTS AND/OR TO CHANGE DESIGN, SPECIFICATIONS OR PRICES AT ANY TIME WITHOUT INCURRING ANY OBLIGATION.

SEE FM VRV1 FOR SPECIFICATIONS.