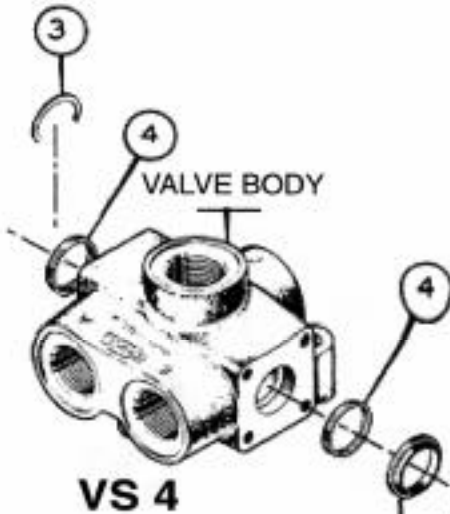


**MODEL VS 2 AND VS 4  
Single Selector Valves**



**Optional kits**

VS2: 1V0930 clevis actuator kit shown opposite  
VS4: See pages 3 & 4: the VS4 accepts all kits  
 which fit the SD4 (shown opposite)

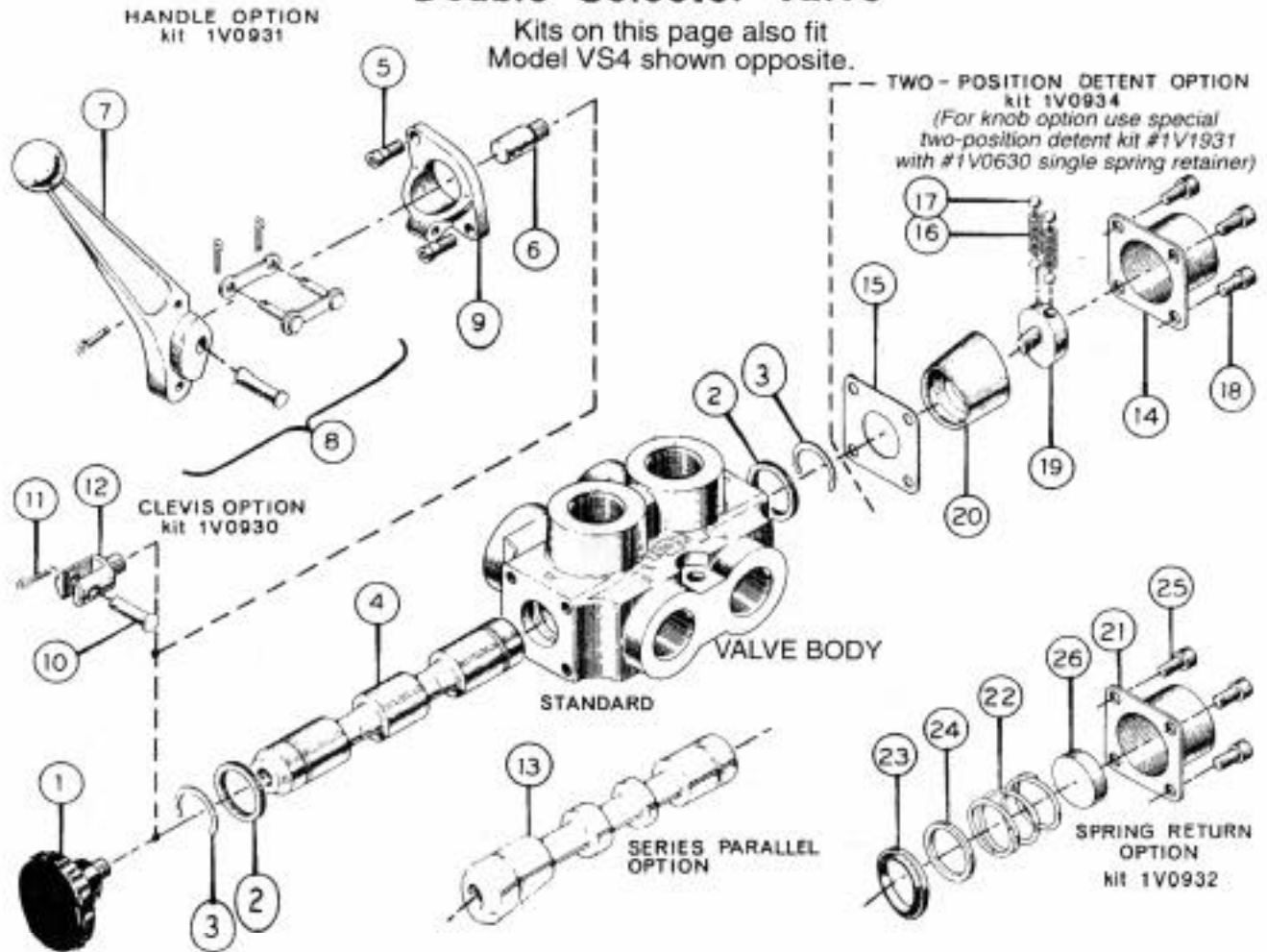
CROSS MANUFACTURING INC.  
 reserves the right to discontinue  
 products and/or change design,  
 specifications or prices at any time  
 without incurring any obligation.

○	PART NUMBER		DESCRIPTION	QTY.
	VS2	VS4		
1	1V0230	1V0571	SPOOL	1
2	1A0768		KNOB	1
3	1A9002	1A9045	SNAP RING	2
4	1A9033	1A9035	QUAD SEAL	2
5		1A0795	DUST SEAL	1
...	2V0007	2V0022	SEAL KIT	REF.

*The select-fit honing process at factory, which fits a spool to an individual valve body, eliminates the possibility of ordering the valve body or spool as a separate item.*

# MODEL SD Double Selector Valve

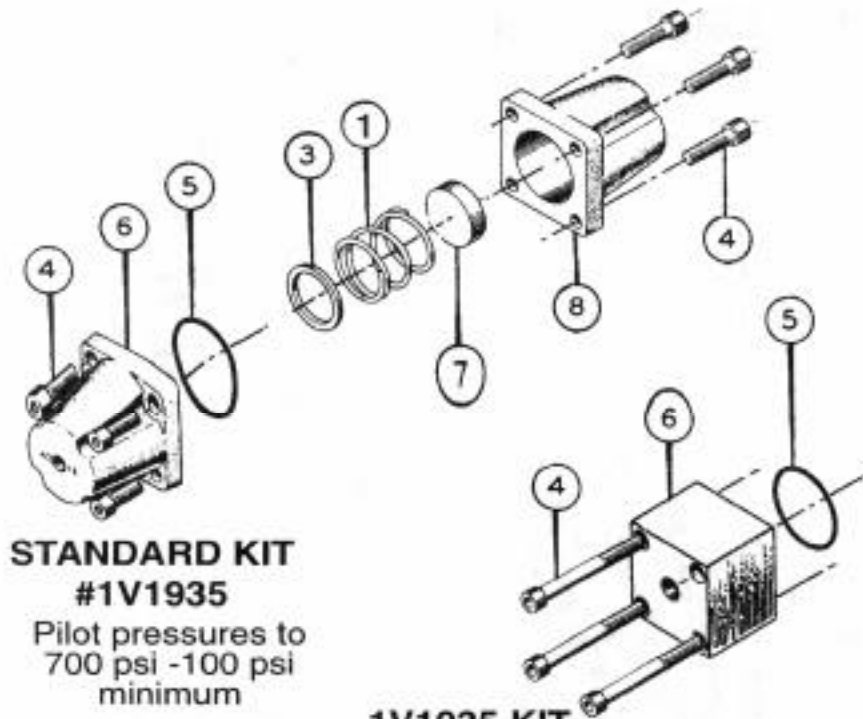
Kits on this page also fit  
Model VS4 shown opposite.



STANDARD ASSEMBLY				SERIES PARALLEL OPTION			
○	PART NUMBER	DESCRIPTION	QTY. REQD.	○	PART NUMBER	DESCRIPTION	QTY. REQD.
1	1A0768	KNOB	1	13	1V1722	SPOOL, SERIES PARALLEL	1
2	1A9035	QUAD X- SEAL	2	<b>TWO POSITION DETENT OPTION (KIT 1V0934)</b>			
3	1A9045	SNAP RING	2	<i>#1V1931 two-position detent kit for knob option uses #1V0630 retainer with 1 spring &amp; 2 balls</i>			
4	1V0703	SPOOL	1	14	1A0294P	END CAP	1
		SHIPPING PLUG	6	15	1A0710	SPACER	1
	2V0022	SEAL KIT	0	16	1A0739	DETENT SPRING	2
<b>HANDLE OPTION (KIT 1V0931)</b>				17	2A0017-8	STEEL BALL	4
5	2A0079-404N	MACHINE SCREW	2	18	2A0079-404N	MACHINE SCREW	4
6	1V0633	HANDLE ADAPTER	1	19	1V0272	DETENT RETAINER	1
7	1V1703	HANDLE	1	20	1V1811	DETENT SLEEVE	1
8	1V1730	PIN KIT	1	<b>SPRING RETURN OPTION (KIT 1V0932)</b>			
9	1V1826	BRACKET	1	21	1A0294P	END CAP	1
<b>CLEVIS OPTION (KIT 1V0930)</b>				22	1A9008	CENTERING SPRING	1
10	1A9193	CLEVIS PIN	1	23	1A0795	DUST SEAL	1
11	2A0309-204P	COTTER PIN	1	24	1A9046	WASHER	1
12	1V0262	SPOOL CLEVIS	1	25	2A0079-404N	MACHINE SCREW	4
				26	1V0216	RUBBER SPACER	1

The select-fit honing process at factory, which fits a spool to an individual valve body, eliminates the possibility of ordering the valve body or spool as a separate item.

# PILOT OPERATOR with SPRING RETURN (fits either VS4 or SD)



## STANDARD KIT #1V1935

Pilot pressures to  
700 psi -100 psi  
minimum



## HEAVY DUTY KIT #1V1417

Pilot pressures to  
system psi -100 psi  
minimum

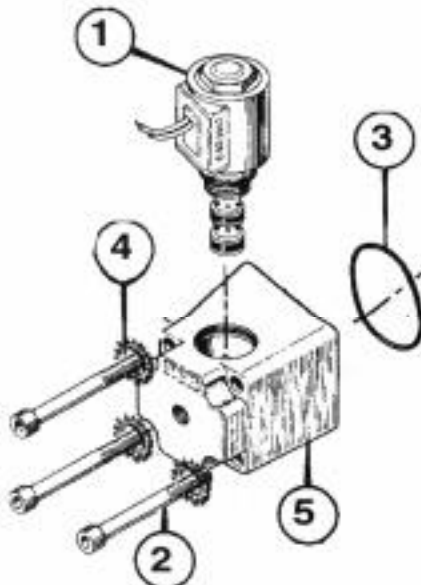
### 1V1935 KIT

### 1V1417 KIT

When a pilot actuator is used hydraulically, the spool seal on the pilot end is not installed or removed on a field unit. For air pilot usage, this spool seal is required.

○	STANDARD PART NUMBER	DESCRIPTION	QTY.	HEAVY DUTY PART NUMBER
1	1A9008	CENTERING SPRING	1	1A9008
2		RETAINING RING	1	1A9045
3	1A9046P	WASHER	1	1A9046P
4	2A0079-406	MACHINE SCREW	8	2A0079-420N
5	2A0283-9029	O-RING	1	2A0283-9029
6	1V1223	PILOT END CAP	1	1V1388
7	1V0216	SPACER	1	1V1389M
8	1V0279	END CAP	1	1V1390

## REPLACEMENT SOLENOID PARTS



This selector option is not field convertible because a special valve spool is required and spools are matched to the individual bodies. Parts shown are for replacement only. For spring return parts see items 4, 7 and 8 above. Selectors may be ordered with the solenoid option and spring return. For full specifications request Form No. VSOS, VSD and VVS.

○	PART NUMBER	DESCRIPTION	QTY.
1	1A9330	SOLENOID ASS'Y. - 12 VOLT	OPT.
	1A9331	SOLENOID ASS'Y - 24 VOLT	OPT.
	1A9332	SOLENOID ASS'Y - 120 VOLT	OPT.
	1A9333	SOLENOID ASS'Y - 240 VOLT	OPT.
2	2A0079-424	MACHINE SCREW	4
3	2A0283-9029	O-RING	1
4	2A0736-304	LOCK WASHER	4
5	1V2068	SOLENOID HOUSING	1