

# **XC-SERIES CORDLESS TORQUE WRENCH PUMP**



**ENERPAC** 

▼ Shown: XC1502TB



## Portable Battery Pump for Torque Applications

- Ideal for maintenance bolting applications requiring portability and convenience
- Interactive pendant provides visual and vibratory feedback of pump operation
- Superior run-time with 5Ah, 28V battery
- 20-foot detachable pendant control
- 4-inch glycerin-filled gauge for easy viewing
- Bladder reservoir allows pump to be used in any position
- High-strength fiberglass reinforced composite housing provides superior durability in demanding job site environments
- Integrated handle and carrying strap for portability



### 28-Volt Battery

The XC28V5 with Lithium-Ion technology for maximum battery performance.



### Battery Charger

1-hour quick charger.

<b>XC115VC</b>	115 VAC
<b>XC230VC</b>	230 VAC



### Roll Cage

Roll cage accessory option for both XC-TW and XC pump. Please order model No. XCRCTK.



### Torque Wrenches

The following wrenches are ideal for use with the XC Cordless Torque Wrench Pump:

<u>S-Series</u>	<u>W-Series</u>
S1500X	W2000X
S3000X	W4000X

Larger wrenches will work with the pump, battery run time and application speed will be impacted.

# XC-Series, Cordless Torque Wrench Pump



The XC-Series Cordless Torque Wrench pump is ideal for maintenance applications in the PowerGen, Oil & Gas and MRO markets. This portable pump is perfect for remote locations, sites that do not have access to power or where trip hazards are a concern.

The interactive pendant allows the user to set and clear pressure and operate in manual or auto-cycle mode.

The pump has an easily accessible user adjustable valve for precise pressure control.

### Fasteners Torqued On One Charge

Torque Wrench	Nut AF	Stud	PSI	Ft. Lbs.	Fasteners Torqued
S3000	2 3/8"	1 1/2"	4800	1500	32
W2000	2 3/8"	1 1/2"	5000	1000	52

## XC Series



Useable Oil Capacity:

**120 in<sup>3</sup>**

Flow at Rated Pressure:

**15 in<sup>3</sup>/min.**

Motor Size:

**.5 hp**

Maximum Operating Pressure:

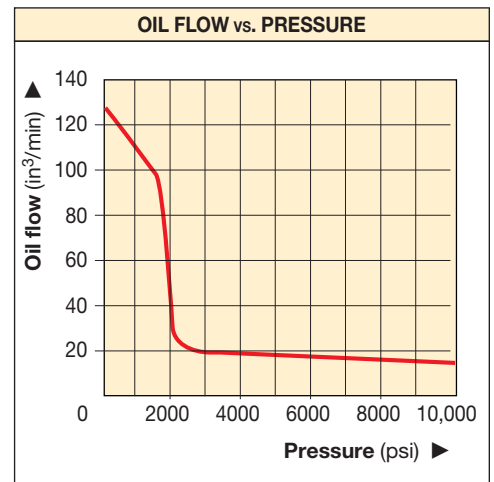
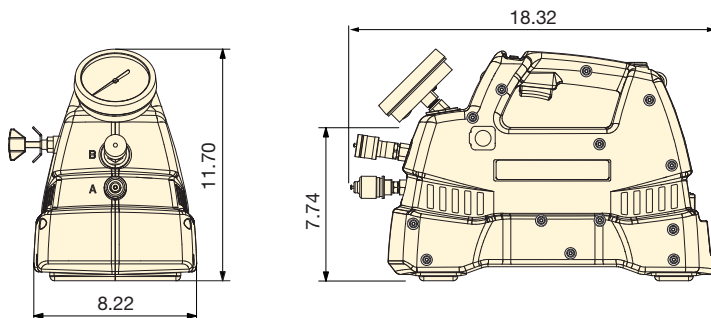
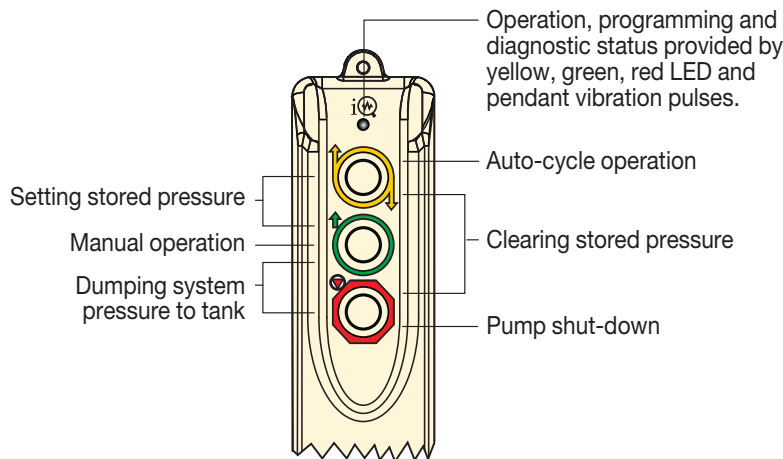
**10,000 psi**



### Twin Torque Wrench Hoses

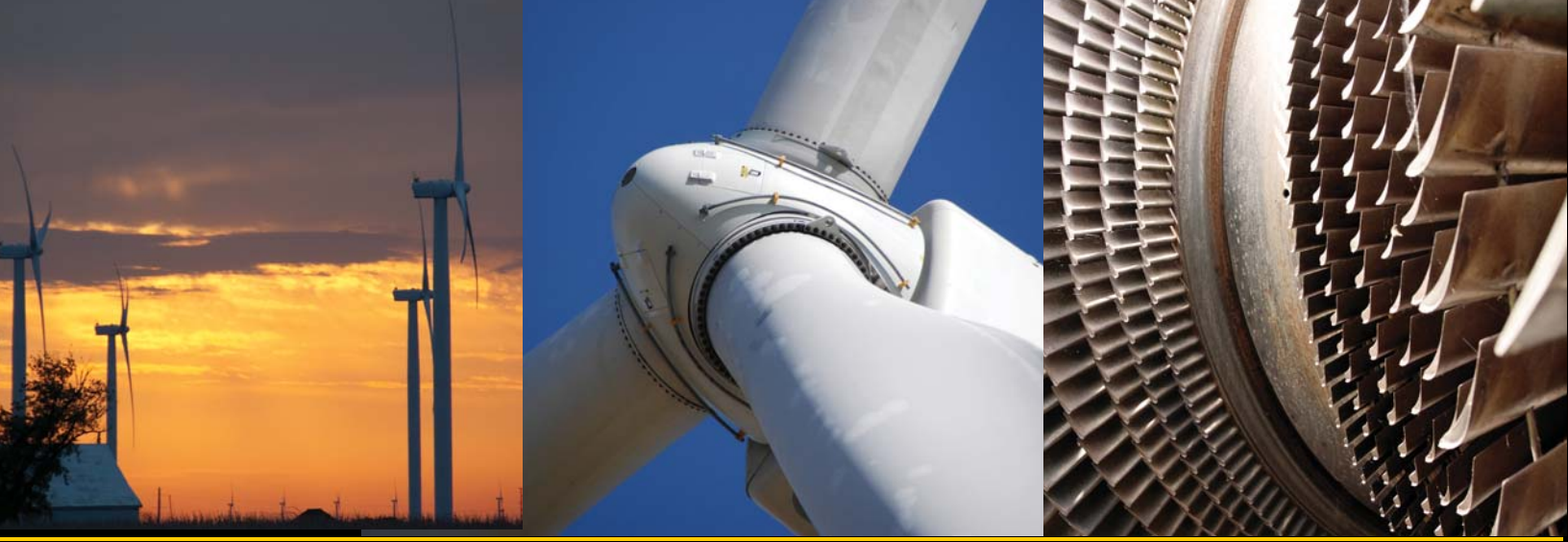
Use Enerpac THQ700 series twin hoses with 10,000 psi pumps.

19.5 feet long, 2 hoses	<b>THQ706T</b>
39 feet long, 2 hoses	<b>THQ712T</b>



Pump Type	Useable Oil Capacity (in <sup>3</sup> )	Model Number	Output Flow Rate (in <sup>3</sup> /min)			Included with Pump	Weight (includes oil, no battery*) (lbs)
			No Load	2000 psi	10,000 psi		
Cordless Pump Kit	120	<b>XC1502TB</b>	125	30	15	2 batteries and 115V charger	26.6
Cordless Pump Kit	120	<b>XC1502TE</b>	125	30	15	2 batteries and 230V charger	26.6
Cordless Pump	120	<b>XC1502T</b>	125	30	15	No batteries or charger	26.6

\* Battery weight: 2.4 lbs



# PUMP SOLUTIONS FOR EVERY BOLTING NEED

## Torque Pumps



TQ-700 Series,  
Electric



ZA4T-Series,  
Air



ZU4T-Series,  
Electric



ZE-T Series,  
Electric



PMU-Series,  
Electric



XC-Series,  
Cordless

## Torque Wrenches



S-Series



W-Series

*Your Energpac Distributor:*

[www.enerpac.com](http://www.enerpac.com)

**Energpac Worldwide Locations**  
 For a complete list of addresses see:  
[www.enerpac.com/en/enerpac-locations](http://www.enerpac.com/en/enerpac-locations)  
 User Inquiries: 800-433-2766  
 Distributor Inquiries: 800-558-0530

**ENERPAC**   
 POWERFUL SOLUTIONS. GLOBAL FORCE.